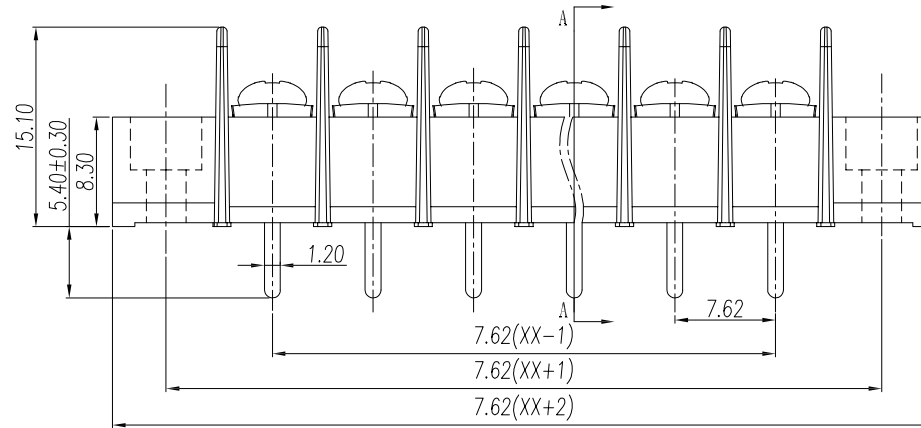
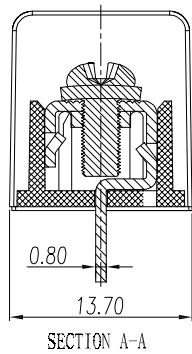
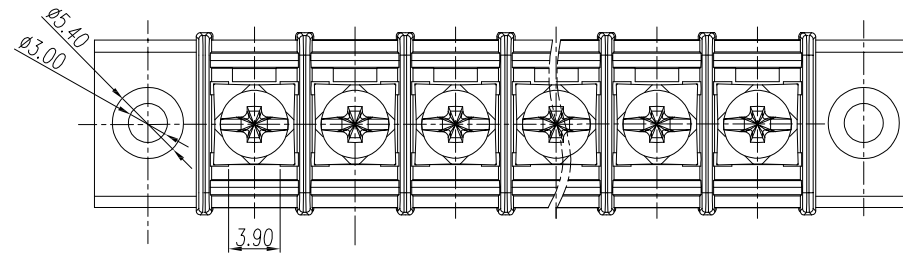
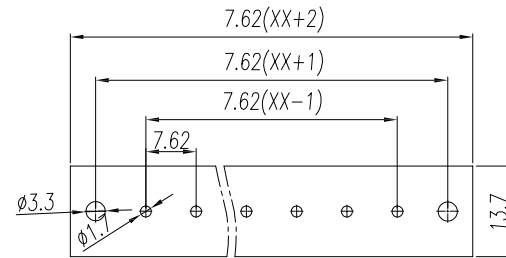


版次 (Version)	变更内容 (Rev. Content)	变更者 (Change Person)



技术参数 (Technical Data)				
UL	应用组别(Use group)	B	C	D
IEC	额定电器参数 (Rated Electrical Parameters)	300V/15A	300V/15A	300V/15A
	过压类别 (Overvoltage Category) / 污染等级 (Pollution Degree)	III/3	III/2	III/2
IEC	额定电器参数 (Rated Electrical Parameters)	250V/24A	250V/24A	250V/24A
	压线范围(Wire Range)	/		
工频耐压(Frequency Voltage)		AC 2500V		
冲击耐压(Rated Surge Voltage)		4000V		
绝缘阻抗 (Insulation Resistance)		DC500V 500MΩ above		
接触电阻(Contact Resistance)		$\leq 20m\Omega$		
剥线长度(String Length)		10		
工作温度(Temperature)		$-40^{\circ}C \sim +105^{\circ}C$		
额定扭矩(Rated torque)		/		
材质和电镀 (Material and plating)				
绝缘材质(Housing)		PA66		
导体材料(Contact)		铜合金, 镀锡(Copper alloy, Sn plsted)		
/		/		

产品命名编码:
(Product Number Code):

BT2.5-XX-762-25CM-YY

系列 (Series)

极数 (NO. of poles)

端子间距 (Pitch)


型号 (Model)

塑体颜色 (Housing Color)

- | | |
|--------------|---------------|
| 1:绿色(Green) | 7:透明色 |
| 2:蓝色(Blue) | 8:白色(White) |
| 3:黑色(Black) | 9:黄色(Yellow) |
| 4:灰色(Grey) | Y:多种颜色 |
| 5:橙色(Orange) | (Mixed color) |
| 6:红色(Red) | |

P=7.62mm, N为孔位数(N for hole digits), 有效位数为 (Significant Digits): 02p-19p

N	02P	03P	04P	05P	06P	07P	08P	09P	10P
L	30.48	38.1	45.72	53.34	60.96	68.58	76.2	83.82	91.44
B	7.62	15.24	22.86	30.48	38.1	45.72	53.34	60.96	68.58
N	11P	12P	13P	14P	15P	16P	17P	18P	19P
L	99.06	106.68	114.3	121.92	129.54	137.16	144.78	152.40	160.02
B	76.2	83.82	91.44	99.06	106.68	114.3	121.92	129.54	137.16

 东莞市奥斯电子有限公司 DONGGUAN AOSI ELECTRONICS CO., LTD.		公差范围 (Tolerance Range)	
		150~	± 1.50
型号 (Type): BT2.5-XX-762-25CM-YY		60~150	± 1.00
核准 (Approval):		30~60	± 0.60
图号 (Drawing NO.):		6~30	± 0.40
核审 (Audit):		0~6	± 0.25
单位 (Units): mm		角度 (Angle)	X $\pm 2^{\circ}$
页码 (Page): 1/1		X.X	$\pm 1^{\circ}$
设计 (Design)		比例 (Scale): FULL	版次 (Version): T0