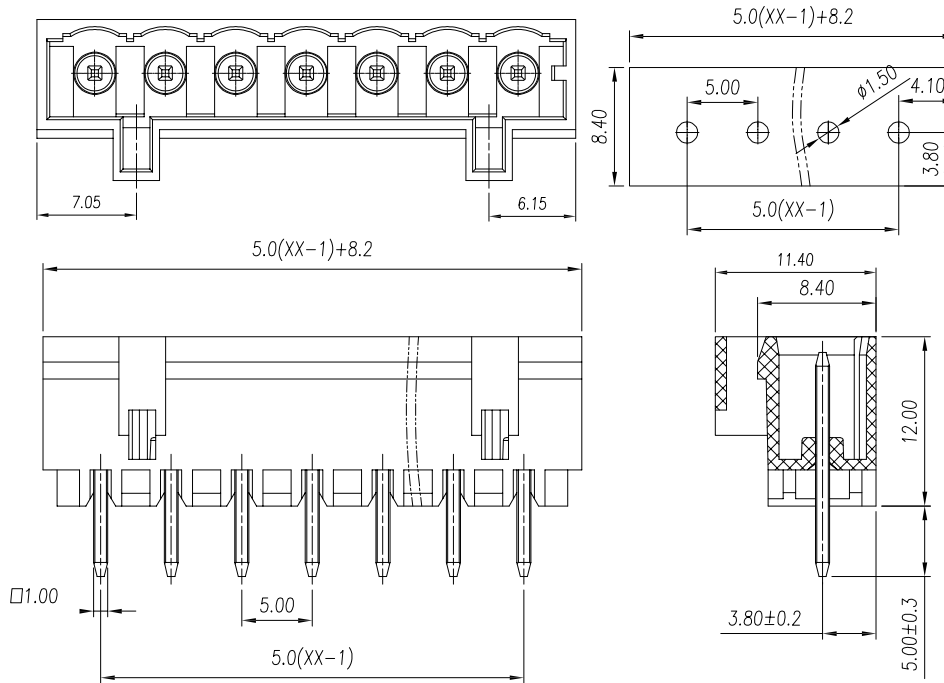


版次 (Version)	变更内容 (Rev. Content)	变更者 (Change Person)



技术参数 (Technical Data)				
UL	应用组别(Use group)	B	C	D
	额定电器参数 (Rated Electrical Parameters)	300V/15A	300V/15A	300V/15A
	过压类别(Overvoltage Category) /污染等级(Pollution Degree)	III/3	III/2	III/2
IEC	额定电器参数 (Rated Electrical Parameters)	300V/15A	300V/15A	300V/15A
	压线范围(Wire Range)	/		
	工频耐压(Frequency Voltage)	AC 2500V		
	冲击耐压(Rated Surge Voltage)	4000V		
	绝缘阻抗(Insulation Resistance)	DC500V 500MΩ above		
	接触电阻(Contact Resistance)	≤8mΩ		
	剥线长度(String Length)	/		
	工作温度(Temperature)	-40° C--+105° C		
	额定扭矩(Rated torque)	/		
材质和电镀(Material and plating)				
	绝缘材质(Housing)	PA66		
	导体材料(Contact)	铜合金, 镀锡(Copper alloy, Sn plsted)		
	/	/		

产品命名编码:  
(Product Number Code):

FPM2.5-XX-500-22-YY

系列(Series) ———— 型号(Model)  
极数(NO. of poles) ———— 塑体颜色(Housing Color)  
端子间距(Pitch) ————

- |              |                         |
|--------------|-------------------------|
| 1:绿色(Green)  | 7:透明色<br>(Transparent)  |
| 2:蓝色(Blue)   | 8:白色(White)             |
| 3:黑色(Black)  | 9:黄色(Yellow)            |
| 4:灰色(Grey)   | Y:多种颜色<br>(Mixed color) |
| 5:橙色(Orange) |                         |
| 6:红色(Red)    |                         |

P=5.00mm,N为孔位数(N for hole digits),有效位数为(Significant Digits):02p-19p

N	02P	03P	04P	05P	06P	07P	08P	09P	10P
L	13.20	18.20	23.20	28.20	33.20	38.20	43.20	48.20	53.20
B	5.00	10.00	15.00	20.00	25.00	30.00	35.00	40.00	45.00
N	11P	12P	13P	14P	15P	16P	17P	18P	19P
L	58.20	63.20	68.20	73.20	78.20	83.20	88.20	93.20	98.20
B	50.00	55.00	60.00	65.00	70.00	75.00	80.00	85.00	90.00

东莞市奥斯电子有限公司 DONGGUAN AOSI ELECTRONICS CO., LTD.		公差范围(Tolerance Range)	
		150~	±1.50
型号(Type): FPM2.5-XX-500-22-YY		60~150	±1.00
		30~60	±0.60
核准(Approval): 图号(Drawing NO.):		6~30	±0.40
		0~6	±0.25
核审(Audit): 单位(Units):mm 页码(Page):1/1		角度(Angle)	X ±2°
			XX ±1°
设计(Design) 比例(Scale):FULL		版次(Version):T0	