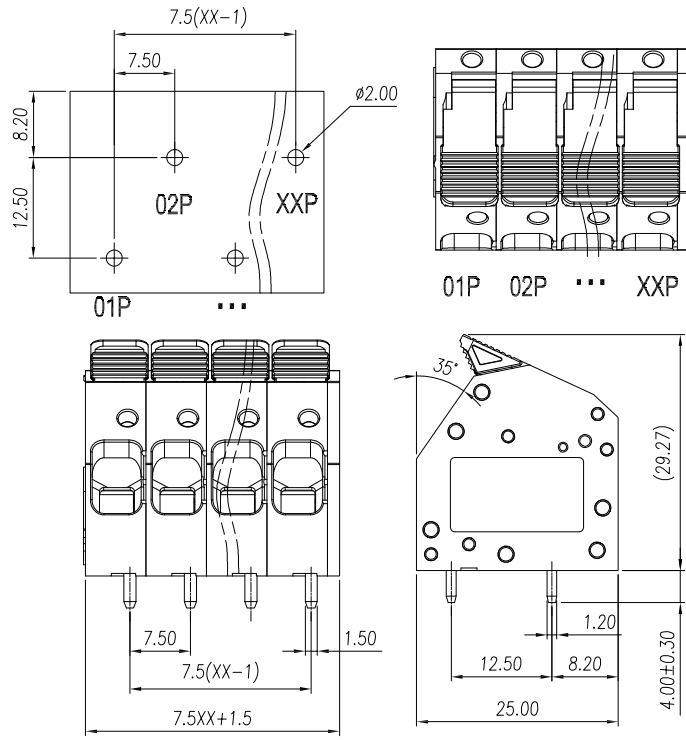


版次 (Version)	变更内容 (Rev. Content)	变更者 (Change Person)



技术参数 (Technical Data)				
UL	应用组别(Use group)	B	C	D
	额定电器参数 (Rated Electrical Parameters)	600V/41A	600V/41A	600V/41A
IEC	过压类别(Overvoltage Category)	III/3	III/2	III/2
	/污染等级(Pollution Degree)	III/3	III/2	III/2
额定电器参数 (Rated Electrical Parameters)		600V/41A	600V/41A	600V/41A
压线范围(Wire Range)		/		
工频耐压(Frequency Voltage)		AC 2500V		
冲击耐压(Rated Surge Voltage)		4000V		
绝缘阻抗(Insulation Resistance)		DC500V 500MΩ above		
接触电阻(Contact Resistance)		≤20mΩ		
剥线长度(String Length)		/		
工作温度(Temperature)		-40° C--+105° C		
额定扭矩(Rated torque)		/		
材质和电镀(Material and plating)				
绝缘材质(Housing)		PA66		
导体材料(Contact)		铜合金, 镀锡(Copper alloy, Sn plsted)		
/		/		

产品命名编码:
(Product Number Code):

FS6-XX-750-2406S-YY



1:绿色(Green)	7:透明色 (Transparent)
2:蓝色(Blue)	8:白色(White)
3:黑色(Black)	9:黄色(Yellow)
4:灰色(Grey)	Y:多种颜色 (Mixed color)
5:橙色(Orange)	
6:红色(Red)	

P=7.50mm,N为孔位数(N for hole digits),有效位数为(Significant Digits):02p-19p

N	02P	03P	04P	05P	06P	07P	08P	09P	10P
L	16.50	24.00	31.50	39.00	46.50	54.00	61.50	69.00	76.50
B	7.50	15.00	22.50	30.00	37.50	45.00	52.50	60.00	67.50
N	11P	12P	13P	14P	15P	16P	17P	18P	19P
L	84.00	91.50	99.00	106.50	114.00	121.50	129.00	136.50	144.00
B	75.00	82.50	90.00	97.50	105.00	112.50	120.00	127.50	135.00

东莞市奥斯电子有限公司 DONGGUAN AOSI ELECTRONICS CO., LTD.	公差范围(Tolerance Range)	
	150~	±1.50
型号(Type): FS6-XX-750-2406S-YY	60~150	±1.00
	30~60	±0.60
核准(Approval):	6~30	±0.40
	0~6	±0.25
核审(Audit):	角度(Angle)	X ±2°
	单位(Units):mm	XX ±1°
设计(Design)	页码(Page):1/1	版次(Version):T0
	比例(Scale):FULL	