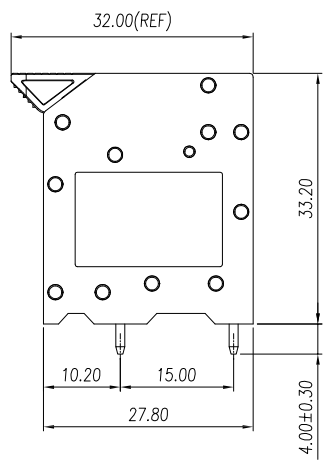
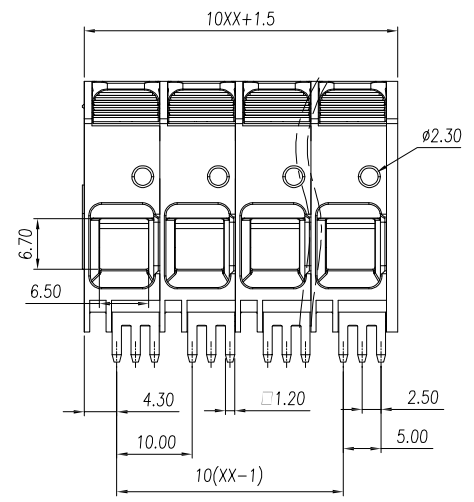
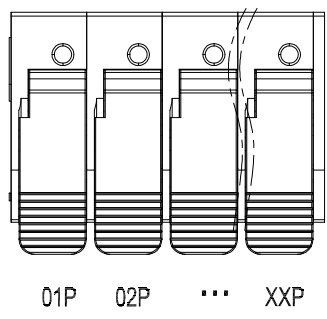
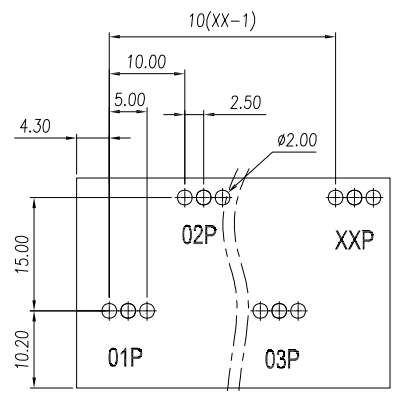


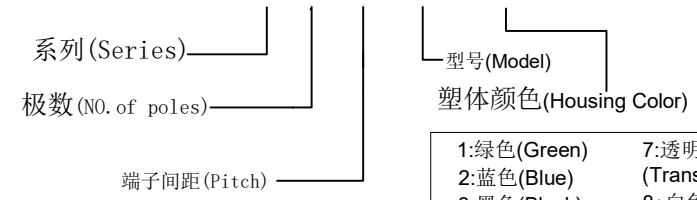
版次 (Version)	变更内容 (Rev. Content)	变更者 (Change Person)



技术参数 (Technical Data)				
UL	应用组别(Use group) (Rated Electrical Parameters)	B	C	D
IEC	过压类别 (Overvoltage Category) / 污染等级 (Pollution Degree)	III/3	III/2	III/2
	额定电器参数 (Rated Electrical Parameters)	600V/66A	600V/66A	600V/66A
压线范围(Wire Range)		/		
工频耐压(Frequency Voltage)		AC 2500V		
冲击耐压(Rated Surge Voltage)		4000V		
绝缘阻抗 (Insulation Resistance)		DC500V 500MΩ above		
接触电阻(Contact Resistance)		≤20mΩ		
剥线长度(String Length)		/		
工作温度(Temperature)		-40° C--+105° C		
额定扭矩(Rated torque)		/		
材质和电镀 (Material and plating)				
绝缘材质(Housing)		PA66		
导体材料(Contact)		铜合金, 镀锡(Copper alloy, Sn plsted)		
/		/		

产品命名编码:
(Product Number Code):

FS16-XX-1000-2416R-YY



- | | |
|---------------|----------------------|
| 1:绿色 (Green) | 7:透明色 (Transparent) |
| 2:蓝色 (Blue) | 8:白色 (White) |
| 3:黑色 (Black) | 9:黄色 (Yellow) |
| 4:灰色 (Grey) | Y:多种颜色 (Mixed color) |
| 5:橙色 (Orange) | |
| 6:红色 (Red) | |

P=10.00mm, N为孔位数 (N for hole digits), 有效位数为 (Significant Digits): 02p-19p

N	02P	03P	04P	05P	06P	07P	08P	09P	10P
L	21.50	31.50	41.50	51.50	61.50	71.50	81.50	91.50	101.50
B	10.00	20.00	30.00	40.00	50.00	60.00	70.00	80.00	90.00
N	11P	12P	13P	14P	15P	16P	17P	18P	19P
L	111.50	121.50	131.50	141.50	151.50	161.50	171.50	181.50	191.50
B	100.00	110.00	120.00	130.00	140.00	150.00	160.00	170.00	180.00

东莞市奥斯电子有限公司 DONGGUAN AOSI ELECTRONICS CO., LTD.	公差范围 (Tolerance Range)	
	150~	±1.50
型号 (Type): FS16-XX-1000-2416R-YY	60~150	±1.00
	30~60	±0.60
核准 (Approval):	6~30	±0.40
	0~6	±0.25
核审 (Audit):	角度 (Angle)	X ±2°
	单位 (Units): mm	X.X ±1°
设计 (Design):	页码 (Page): 1/1	版次 (Version): T0
	比例 (Scale): FULL	