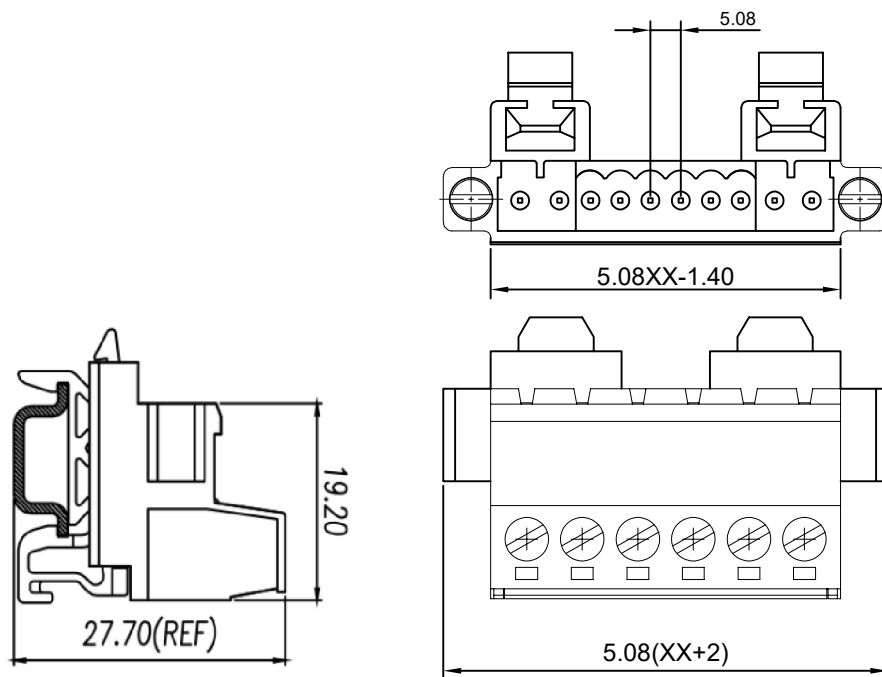


版次 (Version)	变更内容 (Rev. Content)	变更者 (Change Person)



技术参数 (Technical Data)			
应用组别(Use group)	B	C	D
UL 应用组别(Use group) (Rated Electrical Parameters)	300V/15A	300V/15A	300V/15A
IEC 应用组别(Use group) (Rated Electrical Parameters)	300V/15A	300V/15A	300V/15A
过压类别 (Overvoltage Category) / 污染等级 (Pollution Degree)	III/3	III/2	III/2
压线范围(Wire Range)	/		
工频耐压(Frequency Voltage)	AC 1600V		
冲击耐压(Rated Surge Voltage)	4000V		
绝缘阻抗 (Insulation Resistance)	DC500V 500MΩ above		
接触电阻(Contact Resistance)	≤20mΩ		
剥线长度(String Length)	/		
工作温度(Temperature)	-40° C--+105° C		
额定扭矩(Rated torque)	/		
材质和电镀(Material and plating)			
绝缘材质(Housing)	PA66		
导体材料(Contact)	铜合金, 镀锡(Copper alloy, Sn plsted)		
/	/		

产品命名编码:
(Product Number Code):


FPC2.5-XX-508-16M-YY

系列(Series) ———— 型号(Model)
极数(NO. of poles) ———— 塑体颜色(Housing Color)

端子间距(Pitch) ————

1:绿色(Green)	7:透明色 (Transparent)
2:蓝色(Blue)	8:白色(White)
3:黑色(Black)	9:黄色(Yellow)
4:灰色(Grey)	Y:多种颜色 (Mixed color)
5:橙色(Orange)	
6:红色(Red)	

P=5.08mm,N为孔位数(N for hole digits),有效位数为(Significant Digits):02p-19p									
N	02P	03P	04P	05P	06P	07P	08P	09P	10P
L	20.32	25.40	30.48	35.56	40.64	45.72	50.80	55.88	60.96
B	5.08	10.16	15.24	20.32	25.40	30.48	35.56	40.64	45.72
N	11P	12P	13P	14P	15P	16P	17P	18P	19P
L	66.04	71.12	76.20	81.28	86.36	91.44	96.52	101.6	106.68
B	50.80	55.88	60.96	66.04	71.12	76.20	81.28	86.36	91.44

 东莞市奥斯电子有限公司 DONGGUAN AOSI ELECTRONICS CO., LTD.	公差范围(Tolerance Range)	
	150~	±1.50
型号(Type): FPC2.5-XX-508-16M-YY	60~150	±1.00
	30~60	±0.60
核准(Approval):	6~30	±0.40
	0~6	±0.25
核审(Audit):	角度	X ±2°
	单位(Units):mm	页码(Page):1/1
设计(Design)	比例(Scale):FULL	版次(Version):T0