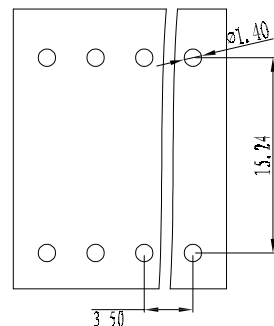
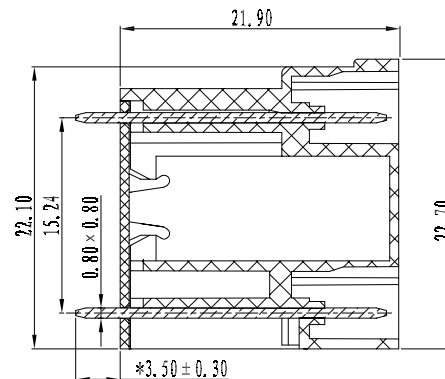
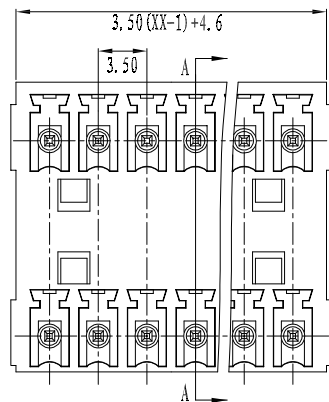


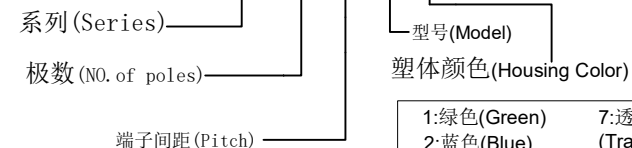
版次 (Version)	变更内容 (Rev. Content)	变更者 (Change Person)



技术参数 (Technical Data)				
UL	应用组别(Use group)	B	C	D
	额定电器参数 (Rated Electrical Parameters)	300V/8A	300V/8A	300V/8A
IEC	过压类别(Overvoltage Category) /污染等级(Pollution Degree)	III/3	III/2	III/2
	额定电器参数 (Rated Electrical Parameters)	300V/8A	300V/8A	300V/8A
压线范围(Wire Range)		/		
工频耐压(Frequency Voltage)		AC 2500V		
冲击耐压(Rated Surge Voltage)		4000V		
绝缘阻抗(Insulation Resistance)		DC500V 500MΩ above		
接触电阻(Contact Resistance)		≤8mΩ		
剥线长度(String Length)		/		
工作温度(Temperature)		-40° C--+105° C		
额定扭矩(Rated torque)		/		
材质和电镀(Material and plating)				
绝缘材质(Housing)		PA66		
导体材料(Contact)		铜合金, 镀锡(Copper alloy, Sn plated)		
/		/		

产品命名编码:  
(Product Number Code):

FPH1.5-XX-350-00-YY



1:绿色(Green)	7:透明色 (Transparent)
2:蓝色(Blue)	8:白色(White)
3:黑色(Black)	9:黄色(Yellow)
4:灰色(Grey)	Y:多种颜色 (Mixed color)
5:橙色(Orange)	
6:红色(Red)	

P=3.50mm,N为孔位数(N for hole digits),有效位数为(Significant Digits):02p-19p

N	02P	03P	04P	05P	06P	07P	08P	09P	10P
L	8.10	11.60	15.10	18.60	22.10	25.60	29.10	32.60	36.10
B	3.50	7.00	10.50	14.00	17.50	21.00	24.50	28.00	31.50
N	11P	12P	13P	14P	15P	16P	17P	18P	19P
L	39.60	43.10	46.60	50.10	53.60	57.10	60.60	64.10	67.60
B	35.00	38.50	42.00	45.50	49.00	52.50	56.00	59.50	63.00

东莞市澳斯电子有限公司 DONGGUAN AOSI ELECTRONICS CO., LTD.	公差范围(Tolerance Range)		
	150~	±1.50	
型号(Type): FPH1.5-XX-350-00-YY	60~150	±1.00	
	30~60	±0.60	
核准(Approval):	6~30	±0.40	
	图号(Drawing NO.):	0~6	±0.25
核审(Audit):	角度(Angle)	X	±2°
	单位(Units):mm	X.X	±1°
设计(Design)	比例(Scale):FULL		版次(Version):T0