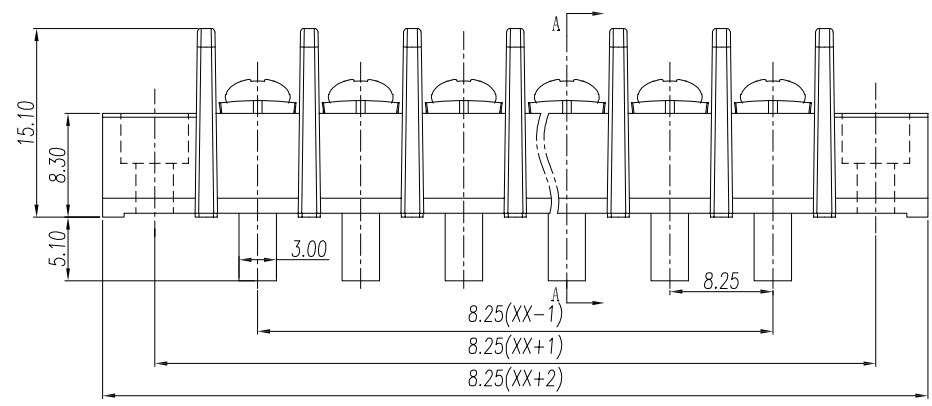
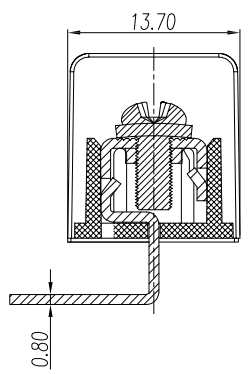
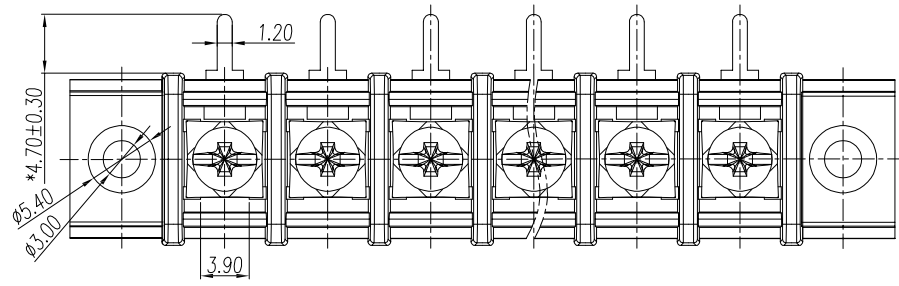
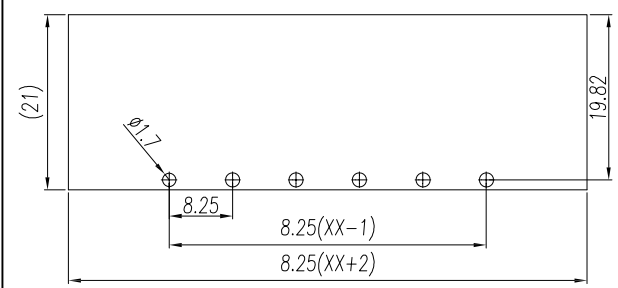


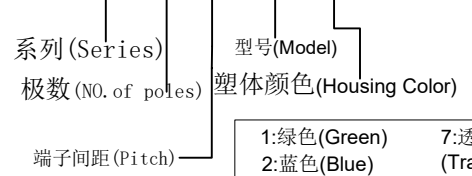
版次 (Version)	变更内容 (Rev. Content)	变更者 (Change Person)



技术参数 (Technical Data)				
UL	应用组别(Use group)	B	C	D
	额定电器参数 (Rated Electrical Parameters)	300V/20A	300V/20A	300V/20A
IEC	过压类别 (Overvoltage Category)	III/3	III/2	III/2
	/污染等级 (Pollution Degree)	III/3	III/2	III/2
额定电器参数 (Rated Electrical Parameters)		250V/24A	250V/24A	250V/24A
压线范围(Wire Range)		/		
工频耐压(Frequency Voltage)		AC 2500V		
冲击耐压(Rated Surge Voltage)		4000V		
绝缘阻抗 (Insulation Resistance)		DC500V 500MΩ above		
接触电阻(Contact Resistance)		≤20mΩ		
剥线长度(String Length)		10		
工作温度(Temperature)		-40° C--+105° C		
额定扭矩(Rated torque)		/		
材质和电镀(Material and plating)				
绝缘材质(Housing)		PA66		
导体材料(Contact)		铜合金, 镀锡(Copper alloy, Sn plated)		
/		/		

产品命名编码:
(Product Number Code):

BT2.5-XX-825-35RM-YY



1:绿色(Green)	7:透明色 (Transparent)
2:蓝色(Blue)	8:白色(White)
3:黑色(Black)	9:黄色(Yellow)
4:灰色(Grey)	Y:多种颜色 (Mixed color)
5:橙色(Orange)	
6:红色(Red)	

P=8.25mm,N为孔位数(N for hole digits),有效位数为(Significant Digits):02p-19p

N	02P	03P	04P	05P	06P	07P	08P	09P	10P
L	33.00	41.25	49.50	57.75	66.00	74.25	82.50	90.75	99.00
B	8.25	16.50	24.75	33.00	41.25	49.50	57.75	66.00	74.25
N	11P	12P	13P	14P	15P	16P	17P	18P	19P
L	107.25	115.50	123.75	132.00	140.25	148.50	156.75	165.00	173.25
B	82.50	90.75	99.00	107.25	115.50	123.75	132.00	140.25	148.50

东莞市澳斯电子有限公司 DONGGUAN AOSI ELECTRONICS CO., LTD.		公差范围(Tolerance Range)		
型号(Type): BT2.5-XX-825-35RM-YY		150~	±1.50	
		60~150	±1.00	
核准(Approval):		30~60	±0.60	
		6~30	±0.40	
图号(Drawing NO.):		0~6	±0.25	
核审(Audit):	单位(Units):mm	页码(Page):1/1	角度 X	±2°
			(Angle) X.X	±1°
设计(Design)	比例(Scale):FULL	版次(Version):T0		