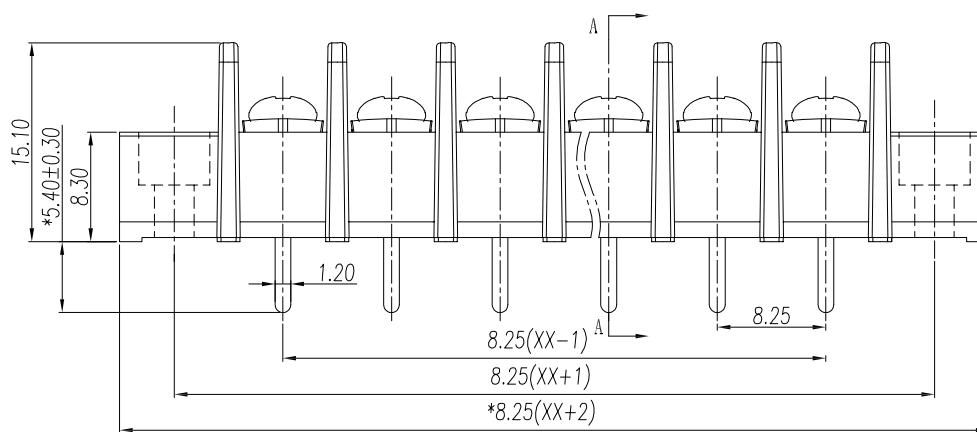
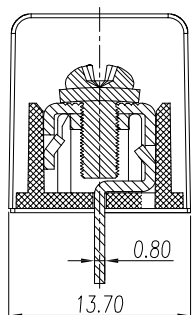
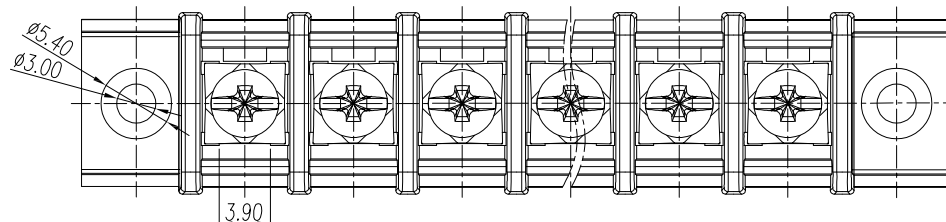
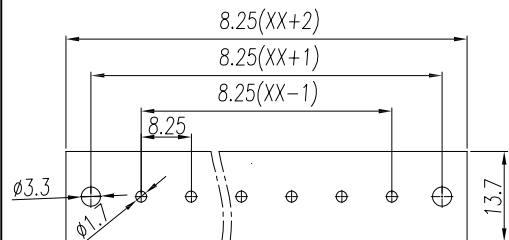


版次 (Version)	变更内容 (Rev. Content)	变更者 (Change Person)



技术参数 (Technical Data)				
UL	应用组别(Use group)	B	C	D
IEC	额定电器参数 (Rated Electrical Parameters)	300V/20A	300V/20A	300V/20A
	过压类别(Overvoltage Category) /污染等级(Pollution Degree)	III/3	III/2	III/2
	额定电器参数 (Rated Electrical Parameters)	250V/24A	250V/24A	250V/24A
压线范围(Wire Range)		/		
工频耐压(Frequency Voltage)		AC 2500V		
冲击耐压(Rated Surge Voltage)		4000V		
绝缘阻抗(Insulation Resistance)		DC500V 500MΩ above		
接触电阻(Contact Resistance)		≤20mΩ		
剥线长度(String Length)		10		
工作温度(Temperature)		-40° C ~ +105° C		
额定扭矩(Rated torque)		/		
材质和电镀(Material and plating)				
绝缘材质(Housing)		PA66		
导体材料(Contact)		铜合金, 镀锡(Copper alloy, Sn plated)		
/		/		

产品命名编码:
(Product Number Code):

BT2.5-XX-825-35CM-YY


系列(Series) 型号(Model)
极数(NO. of poles) 塑体颜色(Housing Color)

端子间距(Pitch)

1:绿色(Green)	7:透明色 (Transparent)
2:蓝色(Blue)	8:白色(White)
3:黑色(Black)	9:黄色(Yellow)
4:灰色(Grey)	Y:多种颜色 (Mixed color)
5:橙色(Orange)	
6:红色(Red)	

P=8.25mm, N为孔位数(N for hole digits), 有效位数为(Significant Digits): 02p-19p

N	02P	03P	04P	05P	06P	07P	08P	09P	10P
L	33.00	41.25	49.50	57.75	66.00	74.25	82.50	90.75	99.00
B	8.25	16.50	24.75	33.00	41.25	49.50	57.75	66.00	74.25
N	11P	12P	13P	14P	15P	16P	17P	18P	19P
L	107.25	115.50	123.75	132.00	140.25	148.50	156.75	165.00	173.25
B	82.50	90.75	99.00	107.25	115.50	123.75	132.00	140.25	148.50

 东莞市奥斯电子有限公司 DONGGUAN AOSI ELECTRONICS CO., LTD.	公差范围(Tolerance Range)	
	150~	±1.50
型号(Type): BT2.5-XX-825-35CM-YY	60~150	±1.00
	30~60	±0.60
核准(Approval):	6~30	±0.40
	0~6	±0.25
核审(Audit):	角度(Angle)	X ±2°
	单位(Units): mm	XX ±1°
设计(Design)	比例(Scale): FULL	版次(Version): T0