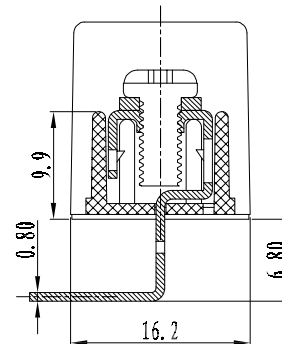
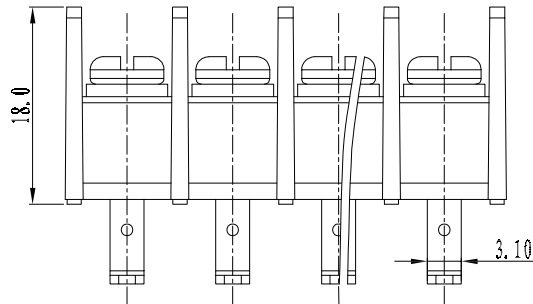
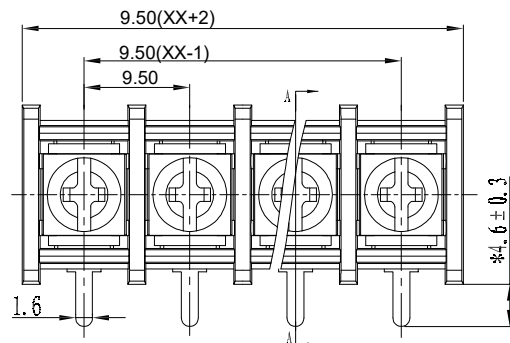


版次 (Version)	变更内容 (Rev. Content)	变更者 (Change Person)



Section A-A



技术参数 (Technical Data)				
UL	应用组别(Use group)	B	C	D
	额定电器参数 (Rated Electrical Parameters)		300V/20A	300V/20A
IEC	过压类别(Overvoltage Category) /污染等级(Pollution Degree)	III/3	III/2	III/2
	额定电器参数 (Rated Electrical Parameters)	400V/24A	400V/24A	400V/24A
压线范围(Wire Range)		/		
工频耐压(Frequency Voltage)		AC 2500V		
冲击耐压(Rated Surge Voltage)		4000V		
绝缘阻抗(Insulation Resistance)		DC500V 500MΩ above		
接触电阻(Contact Resistance)		≤20mΩ		
剥线长度(String Length)		10		
工作温度(Temperature)		-40° C--+105° C		
额定扭矩(Rated torque)		/		
材质和电镀(Material and plating)				
绝缘材质(Housing)		PA66		
导体材料(Contact)		铜合金, 镀锡(Copper alloy, Sn plsted)		
/		/		

产品命名编码:  
(Product Number Code):


**BT4-XX-950-45R-YY**

系列(Series) ————  
极数(NO. of poles) ————  
端子间距(Pitch) ————

型号(Model) ————  
塑体颜色(Housing Color) ————

1:绿色(Green)	7:透明色(Transparent)
2:蓝色(Blue)	8:白色(White)
3:黑色(Black)	9:黄色(Yellow)
4:灰色(Grey)	Y:多种颜色(Mixed color)
5:橙色(Orange)	
6:红色(Red)	

P=9.50mm,N为孔位数(N for hole digits),有效位数为(Significant Digits):02p-19p									
N	02P	03P	04P	05P	06P	07P	08P	09P	10P
L	20.60	30.10	39.60	49.10	58.60	68.10	77.60	87.10	96.60
B	9.50	19.00	29.50	38.00	47.50	57.00	66.50	76.00	85.50
N	11P	12P	13P	14P	15P	16P	17P	18P	19P
L	106.10	115.60	125.10	134.60	144.10	153.60	163.10	172.60	182.10
B	95.00	104.50	114.00	123.50	133.00	142.50	152.00	161.50	171.00

 <b>东莞市澳斯电子有限公司</b> <b>DONGGUAN AOSI ELECTRONICS CO., LTD,</b>	公差范围(Tolerance Range)	
	150~	±1.50
型号(Type): BT4-XX-950-45R-YY	60~150	±1.00
	30~60	±0.60
核准(Approval):	6~30	±0.40
	0~6	±0.25
核审(Audit):	角度(Angle)	X ±2°
	单位(Units):mm	XX ±1°
设计(Design)	比例(Scale):FULL	版次(Version):T0