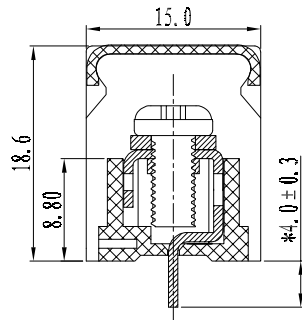
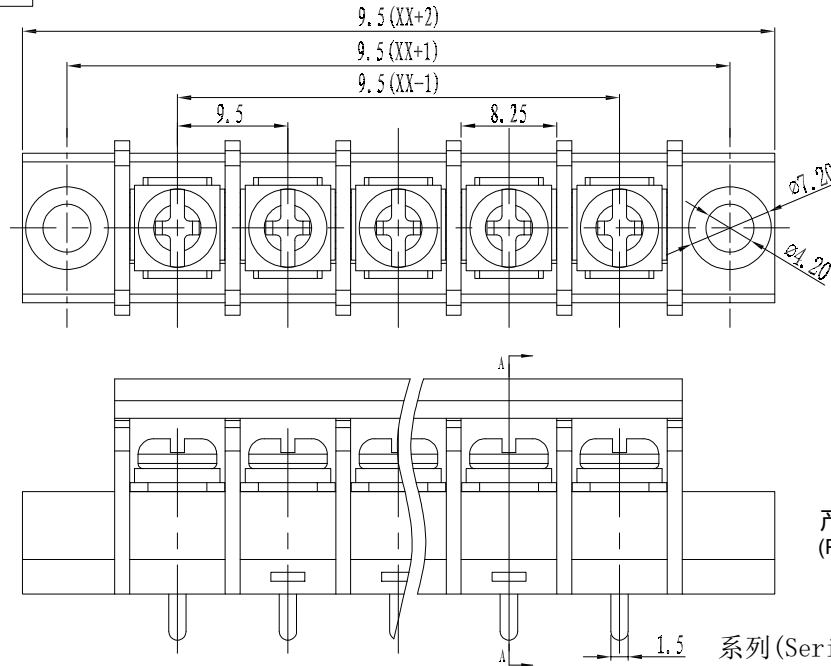
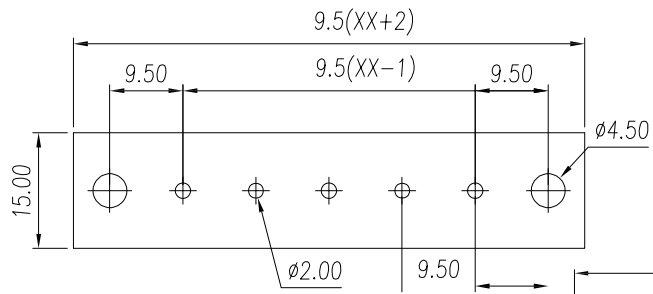


| 版次 (Version) | 变更内容 (Rev. Content) | 变更者 (Change Person) |
|-----------------|------------------------|------------------------|
| | | |
| | | |



| 技术参数 (Technical Data) | | | | |
|------------------------------|--|----------------------------------|----------|----------|
| UL | 应用组别(Use group) | B | C | D |
| | 额定电器参数 (Rated Electrical Parameters) | 300V/20A | 300V/20A | 300V/20A |
| IEC | 过压类别 (Overvoltage Category) / 污染等级 (Pollution Degree) | III/3 | III/2 | III/2 |
| | 额定电器参数 (Rated Electrical Parameters) | 400V/24A | 400V/24A | 400V/24A |
| 压线范围(Wire Range) | | / | | |
| 工频耐压(Frequency Voltage) | | AC 2500V | | |
| 冲击耐压(Rated Surge Voltage) | | 4000V | | |
| 绝缘阻抗 (Insulation Resistance) | | DC500V 500MΩ above | | |
| 接触电阻(Contact Resistance) | | ≤20mΩ | | |
| 剥线长度(String Length) | | 10 | | |
| 工作温度(Temperature) | | -40° C--+105° C | | |
| 额定扭矩(Rated torque) | | / | | |
| 材质和电镀(Material and plating) | | | | |
| 绝缘材质(Housing) | | PA66 | | |
| 导体材料(Contact) | | 铜合金, 镀锡(Copper alloy, Sn plsted) | | |
| / | | / | | |

产品命名编码:
(Product Number Code):


BT4-XX-950-48CM-YY

系列(Series) ————
极数(NO. of poles) ————
端子间距(Pitch) ————
型号(Model) ————
塑体颜色(Housing Color)

- | | |
|--------------|-------------------------|
| 1:绿色(Green) | 7:透明色 (Transparent) |
| 2:蓝色(Blue) | 8:白色(White) |
| 3:黑色(Black) | 9:黄色(Yellow) |
| 4:灰色(Grey) | Y:多种颜色 (Mixed color) |
| 5:橙色(Orange) | |
| 6:红色(Red) | |

P=9.50mm,N为孔位数(N for hole digits),有效位数为(Significant Digits):02p-19p

| N | 02P | 03P | 04P | 05P | 06P | 07P | 08P | 09P | 10P |
|---|--------|--------|--------|--------|--------|--------|--------|--------|--------|
| L | 38.00 | 47.50 | 57.00 | 66.50 | 76.00 | 85.50 | 95.00 | 104.50 | 114.00 |
| B | 9.50 | 19.00 | 29.50 | 38.00 | 47.50 | 57.00 | 66.50 | 76.00 | 85.50 |
| N | 11P | 12P | 13P | 14P | 15P | 16P | 17P | 18P | 19P |
| L | 123.50 | 133.00 | 142.50 | 152.00 | 161.50 | 171.00 | 180.50 | 190.00 | 199.50 |
| B | 95.00 | 104.50 | 114.00 | 123.50 | 133.00 | 142.50 | 152.00 | 161.50 | 171.00 |

| | | |
|--|-----------------------|----------------|
|  东莞市奥斯电子有限公司 DONGGUAN AOSI ELECTRONICS CO., LTD. | 公差范围(Tolerance Range) | |
| | 150~ | ±1.50 |
| 型号(Type): BT4-XX-950-48CM-YY | 60~150 | ±1.00 |
| | 30~60 | ±0.60 |
| 核准(Approval): | 6~30 | ±0.40 |
| | 0~6 | ±0.25 |
| 核审(Audit): | 角度 X | ±2° |
| | 单位(Units):mm | (Angle) X.X |
| 设计(Design) | 图号(Drawing NO.): | 页码(Page):1/1 |
| | 比例(Scale):FULL | 版次(Version):T0 |