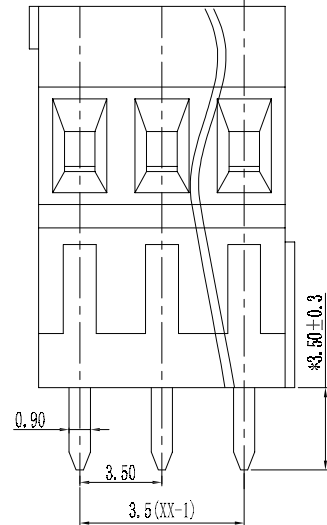
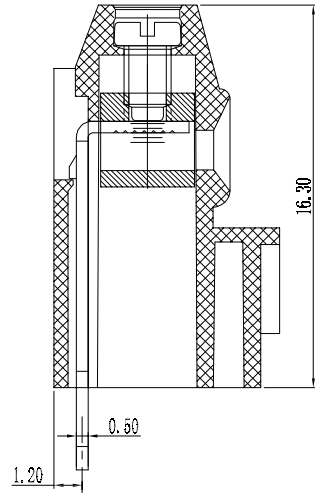
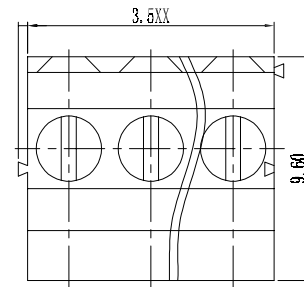
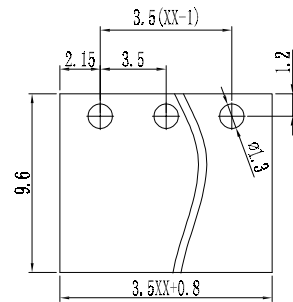
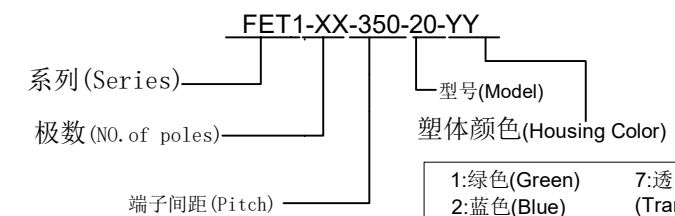


版次 (Version)	变更内容 (Rev. Content)	变更者 (Change Person)



技术参数 (Technical Data)				
UL	应用组别(Use group)	B	C	D
	额定电器参数 (Rated Electrical Parameters)	300V/10A	300V/10A	300V/10A
IEC	过压类别 (Overvoltage Category) / 污染等级 (Pollution Degree)	III/3	III/2	III/2
	额定电器参数 (Rated Electrical Parameters)	300V/10A	300V/10A	300V/10A
压线范围(Wire Range)		/		
工频耐压(Frequency Voltage)		AC 1300V		
冲击耐压(Rated Surge Voltage)		4000V		
绝缘阻抗 (Insulation Resistance)		DC500V 500MΩ above		
接触电阻(Contact Resistance)		≤20mΩ		
剥线长度(String Length)		/		
工作温度(Temperature)		-40° C--+105° C		
额定扭矩(Rated torque)		/		
材质和电镀(Material and plating)				
绝缘材质(Housing)		PA66		
导体材料(Contact)		铜合金, 镀锡(Copper alloy, Sn plsted)		
/		/		


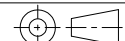
产品命名编码:  
(Product Number Gode):



- |              |                      |
|--------------|----------------------|
| 1:绿色(Green)  | 7:透明色 (Transparent)  |
| 2:蓝色(Blue)   | 8:白色(White)          |
| 3:黑色(Black)  | 9:黄色(Yellow)         |
| 4:灰色(Grey)   | Y:多种颜色 (Mixed color) |
| 5:橙色(Orange) |                      |
| 6:红色(Red)    |                      |

P=3.50mm,N为孔位数(N for hole digits),有效位数为 (Significant Digits):02p-19p

N	02P	03P	04P	05P	06P	07P	08P	09P	10P
L	7.80	11.30	14.80	18.30	21.80	25.30	28.80	32.30	35.80
B	3.50	7.00	10.50	14.00	17.50	21.00	24.50	28.00	31.50
N	11P	12P	13P	14P	15P	16P	17P	18P	19P
L	39.30	42.80	46.30	49.80	53.30	56.80	60.30	63.80	67.30
B	35.00	38.50	42.00	45.50	49.00	52.50	56.00	59.50	63.00

 <b>东莞市澳斯电子有限公司</b> <b>DONGGUAN AOSI ELECTRONICS CO., LTD,</b>	公差范围(Tolerance Range)	
	150~	±1.50
型号(Type): FET1-XX-350-20-YY	60~150	±1.00
	30~60	±0.60
核准(Approval): 图号(Drawing NO.):	6~30	±0.40
	0~6	±0.25
核审(Audit): 单位(Units):mm 页码(Page):1/1	角度 (Angle)	X ±2°
		X.X ±1°
设计(Design): 比例(Scale):FULL		版次(Version):T0