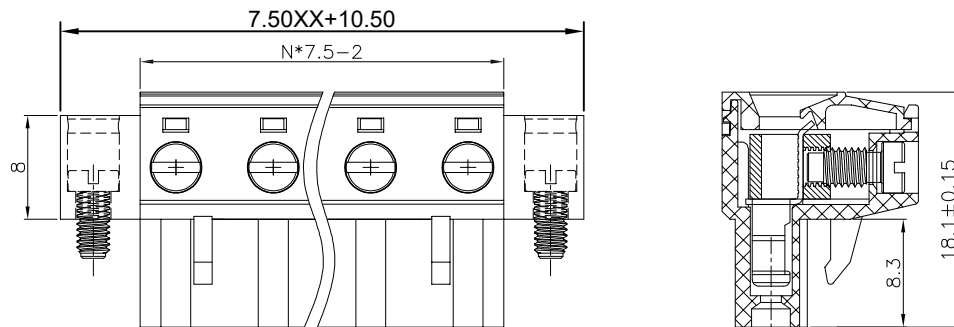


| 版次<br>(Version) | 变更内容<br>(Rev. Content) | 变更者<br>(Change Person) |
|-----------------|------------------------|------------------------|
|                 |                        |                        |
|                 |                        |                        |



| 技术参数 (Technical Data)       |   |                                  |          |          |
|-----------------------------|---|----------------------------------|----------|----------|
| UL                          | 应用组别(Use group)                                       | B                                | C        | D        |
|                             | 额定电器参数<br>(Rated Electrical Parameters)               | 300V/15A                         | 300V/15A | 300V/15A |
| IEC                         | 过压类别(Overvoltage Category)<br>/污染等级(Pollution Degree) | III/3                            | III/2    | III/2    |
|                             | 额定电器参数<br>(Rated Electrical Parameters)               | 300V/15A                         | 300V/15A | 300V/15A |
| 压线范围(Wire Range)            |   | /                                |          |          |
| 工频耐压(Frequency Voltage)     |   | AC 2500V                         |          |          |
| 冲击耐压(Rated Surge Voltage)   |   | 4000V                            |          |          |
| 绝缘阻抗(Insulation Resistance) |   | DC500V 500MΩ above               |          |          |
| 接触电阻(Contact Resistance)    |   | ≤20mΩ                            |          |          |
| 剥线长度(String Length)         |   | /                                |          |          |
| 工作温度(Temperature)           |   | -40° C--+105° C                  |          |          |
| 额定扭矩(Rated torque)          |   | /                                |          |          |
| 材质和电镀(Material and plating) |   |                                  |          |          |
| 绝缘材质(Housing)               |   | PA66                             |          |          |
| 导体材料(Contact)               |   | 铜合金, 镀锡(Copper alloy, Sn plsted) |          |          |
| /                           |   | /                                |          |          |

产品命名编码:  
(Product Number Code):


FPC2.5-XX-750-00M-YY

系列(Series) ———— 型号(Model)  
极数(NO. of poles) ———— 塑体颜色(Housing Color)  
端子间距(Pitch) ————

- |              |                         |
|--------------|-------------------------|
| 1:绿色(Green)  | 7:透明色<br>(Transparent)  |
| 2:蓝色(Blue)   | 8:白色(White)             |
| 3:黑色(Black)  | 9:黄色(Yellow)            |
| 4:灰色(Grey)   | Y:多种颜色<br>(Mixed color) |
| 5:橙色(Orange) |                         |
| 6:红色(Red)    |                         |

P=7.50mm,N为孔位数(N for hole digits),有效位数为(Significant Digits):02p-19p

| N | 02P   | 03P    | 04P    | 05P    | 06P    | 07P    | 08P    | 09P    | 10P    |
|---|-------|--------|--------|--------|--------|--------|--------|--------|--------|
| L | 25.50 | 33.00  | 40.50  | 48.00  | 55.50  | 63.00  | 70.50  | 78.00  | 85.50  |
| B | 7.50  | 15.00  | 22.50  | 30.00  | 37.50  | 45.00  | 52.50  | 60.00  | 67.50  |
| N | 11P   | 12P    | 13P    | 14P    | 15P    | 16P    | 17P    | 18P    | 19P    |
| L | 93.00 | 100.50 | 108.00 | 115.50 | 123.00 | 130.50 | 138.00 | 145.50 | 153.00 |
| B | 75.00 | 82.50  | 90.00  | 97.50  | 105.00 | 112.50 | 120.00 | 127.50 | 135.00 |

|   |                       |                      |
|---|-----------------------|----------------------|
|  <b>东莞市奥斯电子有限公司</b><br>DONGGUAN AOSI ELECTRONICS CO., LTD, | 公差范围(Tolerance Range) |                      |
|   | 150~                  | ±1.50                |
| 型号(Type): FPC2.5-XX-750-00M-YY  | 60~150                | ±1.00                |
|   | 30~60                 | ±0.60                |
| 核准(Approval):   | 6~30                  | ±0.40                |
|   | 0~6                   | ±0.25                |
| 核审(Audit):  | 图号(Drawing NO.):      | 角度(Angle) X ±2°      |
|   | 单位(Units):mm          | 页码(Page):1/1 X.X ±1° |
| 设计(Design)  | 比例(Scale):FULL        | 版次(Version):T0       |