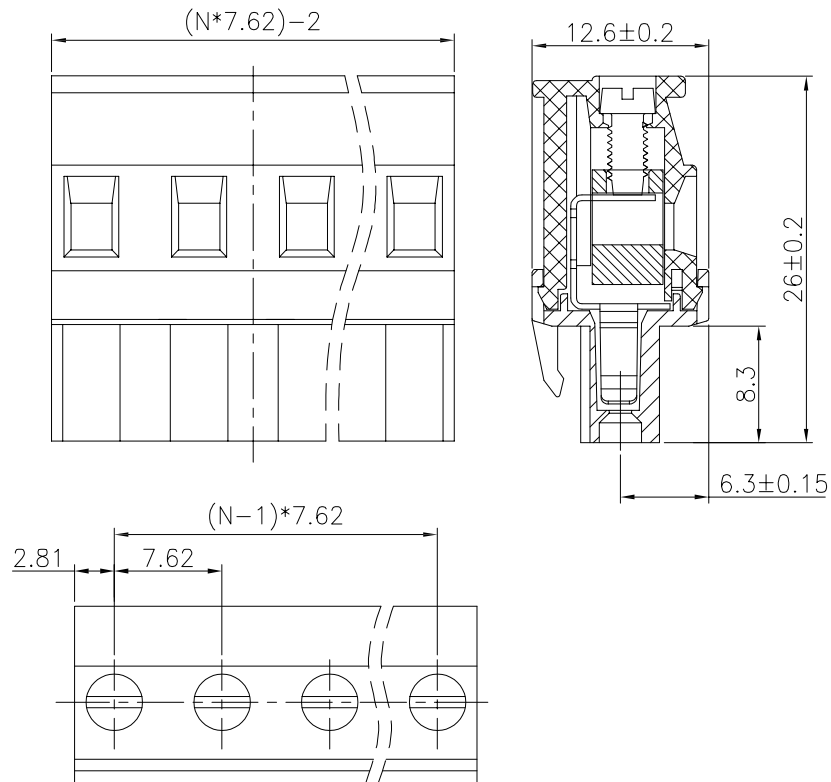


版次 (Version)	变更内容 (Rev. Content)	变更者 (Change Person)



技术参数 (Technical Data)				
应用组别(Use group)	B	C	D	
UL 额定电器参数 (Rated Electrical Parameters)	300V/15A	300V/15A	300V/15A	
IEC 过压类别 (Overvoltage Category) / 污染等级 (Pollution Degree)	III/3	III/2	III/2	
额定电器参数 (Rated Electrical Parameters)	300V/15A	300V/15A	300V/15A	
压线范围(Wire Range)	/			
工频耐压(Frequency Voltage)	AC 2500V			
冲击耐压(Rated Surge Voltage)	4000V			
绝缘阻抗 (Insulation Resistance)	DC500V 500MΩ above			
接触电阻(Contact Resistance)	≤20mΩ			
剥线长度(String Length)	10			
工作温度(Temperature)	-40° C--+105° C			
额定扭矩(Rated torque)	/			
材质和电镀(Material and plating)				
绝缘材质(Housing)	PA66			
导体材料(Contact)	铜合金, 镀锡(Copper alloy, Sn plated)			
/	/			

产品命名编码:
(Product Number Code):

FPC2.5-XX-762-05-YY

系列 (Series) ————
极数 (NO. of poles) ————
端子间距 (Pitch) ————
型号 (Model) ————
塑体颜色 (Housing Color) ————

- | | |
|--------------|-------------------------|
| 1:绿色(Green) | 7:透明色
(Transparent) |
| 2:蓝色(Blue) | 8:白色(White) |
| 3:黑色(Black) | 9:黄色(Yellow) |
| 4:灰色(Grey) | Y:多种颜色
(Mixed color) |
| 5:橙色(Orange) | |
| 6:红色(Red) | |

P=7.62mm,N为孔位数(N for hole digits),有效位数为(Significant Digits):02p-19p

N	02P	03P	04P	05P	06P	07P	08P	09P	10P
L	13.24	20.86	28.48	36.10	43.72	51.34	58.96	66.58	74.20
B	7.62	15.24	22.86	30.48	38.10	45.72	53.34	60.96	68.58
N	11P	12P	13P	14P	15P	16P	17P	18P	19P
L	81.82	89.44	97.06	104.68	112.30	119.92	127.54	135.16	142.78
B	76.20	83.82	91.44	99.06	106.68	114.30	121.92	129.54	137.16

 东莞市奥斯电子有限公司 DONGGUAN AOSI ELECTRONICS CO., LTD,	公差范围(Tolerance Range)	
	150~	±1.50
型号(Type): FPC2.5-XX-762-05-YY	60~150	±1.00
	30~60	±0.60
核准(Approval):	6~30	±0.40
	0~6	±0.25
核审(Audit):	图号(Drawing NO.):	角度 (Angle)
	单位(Units):mm	X X.X
设计(Design)	页码(Page):1/1	±2°
	比例(Scale):FULL	±1°
		版次(Version):T0