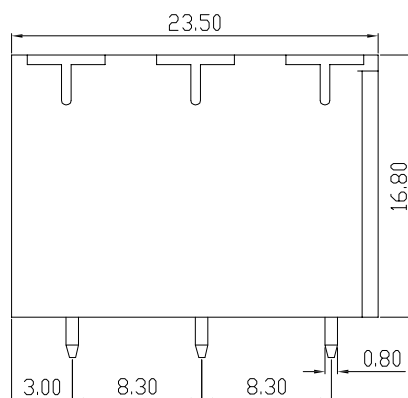
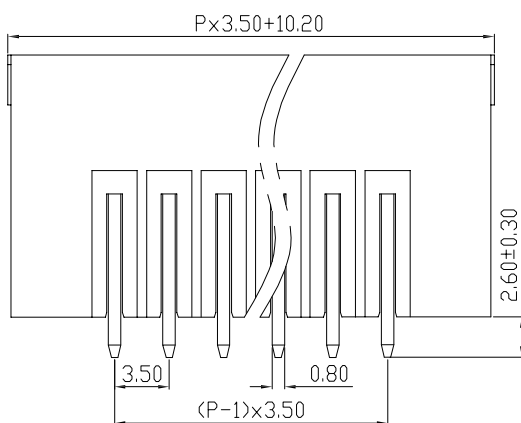
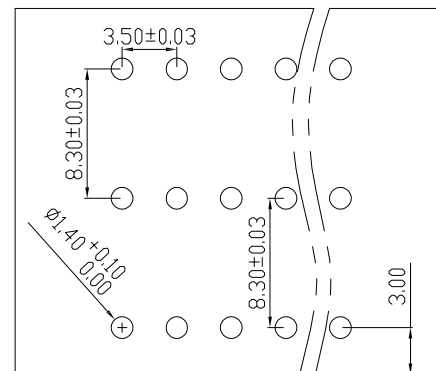
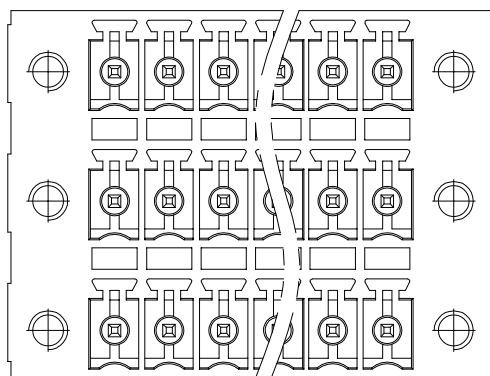


版次 (Version)	变更内容 (Rev. Content)	变更者 (Change Person)



技术参数 (Technical Data)				
应用组别(Use group)	B	C	D	
UL 额定电器参数 (Rated Electrical Parameters)	300V/8A	300V/8A	300V/8A	
过压类别(Overvoltage Category) /污染等级(Pollution Degree)	III/3	III/2	III/2	
IEC 额定电器参数 (Rated Electrical Parameters)	300V/8A	300V/8A	300V/8A	
压线范围(Wire Range)	/			
工频耐压(Frequency Voltage)	AC 2500V			
冲击耐压(Rated Surge Voltage)	4000V			
绝缘阻抗(Insulation Resistance)	DC500V 500MΩ above			
接触电阻(Contact Resistance)	≤8mΩ			
剥线长度(String Length)	/			
工作温度(Temperature)	-40° C--+105° C			
额定扭矩(Rated torque)	/			
材质和电镀(Material and plating)				
绝缘材质(Housing)	PA66			
导体材料(Contact)	铜合金, 镀锡(Copper alloy, Sn plsted)			
/	/			

产品命名编码:
(Product Number Code):

FPH1.5-XX-350-34-YY

系列(Series)

极数(NO. of poles)

端子间距(Pitch)

型号(Model)

塑体颜色(Housing Color)

- | | |
|--------------|-------------------------|
| 1:绿色(Green) | 7:透明色
(Transparent) |
| 2:蓝色(Blue) | 8:白色(White) |
| 3:黑色(Black) | 9:黄色(Yellow) |
| 4:灰色(Grey) | Y:多种颜色
(Mixed color) |
| 5:橙色(Orange) | |
| 6:红色(Red) | |

P=3.50mm,N为孔位数(N for hole digits),有效位数为(Significant Digits):02p-19p

N	3*2P	3*3P	3*4P	3*5P	3*6P	3*7P	3*8P	3*9P	3*10P
L	17.20	20.70	24.20	27.70	31.20	34.70	38.20	41.70	45.20
B	3.50	7.00	10.50	14.00	17.50	21.00	24.50	28.00	31.50
N	3*11P	3*12P	3*13P	3*14P	3*15P	3*16P	3*17P	3*18P	3*19P
L	48.70	52.20	55.70	59.20	62.70	66.20	69.70	73.20	76.70
B	35.00	38.50	42.00	45.50	49.00	52.50	56.00	59.50	63.00

东莞市奥斯电子有限公司 DONGGUAN AOSI ELECTRONICS CO., LTD,	公差范围(Tolerance Range)	
	150~	±1.50
型号(Type): FPH1.5-XX-350-34-YY	60~150	±1.00
	30~60	±0.60
核准(Approval):	6~30	±0.40
	0~6	±0.25
核审(Audit):	角度(Angle)	X ±2° X.X ±1°
	单位(Units):mm	页码(Page):1/1
设计(Design)	比例(Scale):FULL	版次(Version):T0