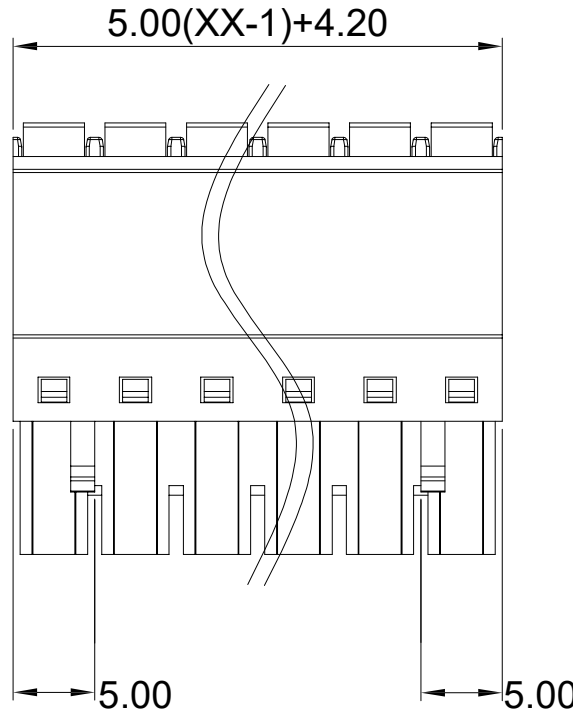
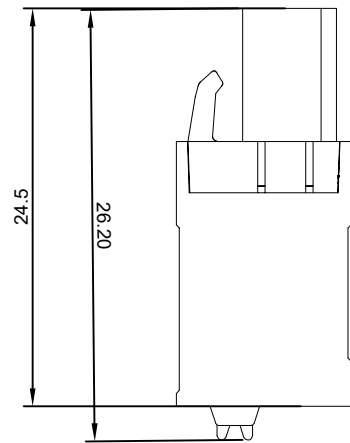


版次 (Version)	变更内容 (Rev. Content)	变更者 (Change Person)



技术参数 (Technical Data)			
应用组别(Use group)	B	C	D
UL 应用组别(Use group) (Rated Electrical Parameters)	300V/12A	300V/12A	300V/12A
IEC 过压类别 (Overvoltage Category) / 污染等级 (Pollution Degree)	III/3	III/2	III/2
IEC 额定电器参数 (Rated Electrical Parameters)	300V/12A	300V/12A	300V/12A
压线范围(Wire Range)	/		
工频耐压(Frequency Voltage)	AC 1600V		
冲击耐压(Rated Surge Voltage)	4000V		
绝缘阻抗 (Insulation Resistance)	DC500V 500MΩ above		
接触电阻(Contact Resistance)	≤20mΩ		
剥线长度(String Length)	/		
工作温度(Temperature)	-40° C--+105° C		
额定扭矩(Rated torque)	/		
材质和电镀(Material and plating)			
绝缘材质(Housing)	PA66		
导体材料(Contact)	铜合金, 镀锡(Copper alloy, Sn plsted)		
/	/		

产品命名编码:
(Product Number Code):

FPS2.5-XX-500-02-YY


系列(Series) ———— 型号(Model)
极数(NO. of poles) ———— 塑体颜色(Housing Color)

端子间距(Pitch) ————

1:绿色(Green)	7:透明色 (Transparent)
2:蓝色(Blue)	8:白色(White)
3:黑色(Black)	9:黄色(Yellow)
4:灰色(Grey)	Y:多种颜色 (Mixed color)
5:橙色(Orange)	
6:红色(Red)	

P=5.00mm,N为孔位数(N for hole digits),有效位数为(Significant Digits):02p-19p

N	02P	03P	04P	05P	06P	07P	08P	09P	10P
L	9.20	14.20	19.20	24.20	29.20	34.20	39.20	44.20	49.20
B	5.00	10.00	15.00	20.00	25.00	30.00	35.00	40.00	45.00
N	11P	12P	13P	14P	15P	16P	17P	18P	19P
L	54.20	59.20	64.20	69.20	74.20	79.20	84.20	89.20	94.20
B	50.00	55.00	60.00	65.00	70.00	75.00	80.00	85.00	90.00

 东莞市澳斯电子有限公司 DONGGUAN AOSI ELECTRONICS CO., LTD,	公差范围(Tolerance Range)	
	150~	±1.50
型号(Type): FPS2.5-XX-500-02-YY	60~150	±1.00
	30~60	±0.60
核准(Approval):	6~30	±0.40
	0~6	±0.25
核审(Audit):	角度 X	±2°
	单位(Units):mm	(Angle) X.X
设计(Design)	页码(Page):1/1	
	比例(Scale):FULL	版次(Version):T0