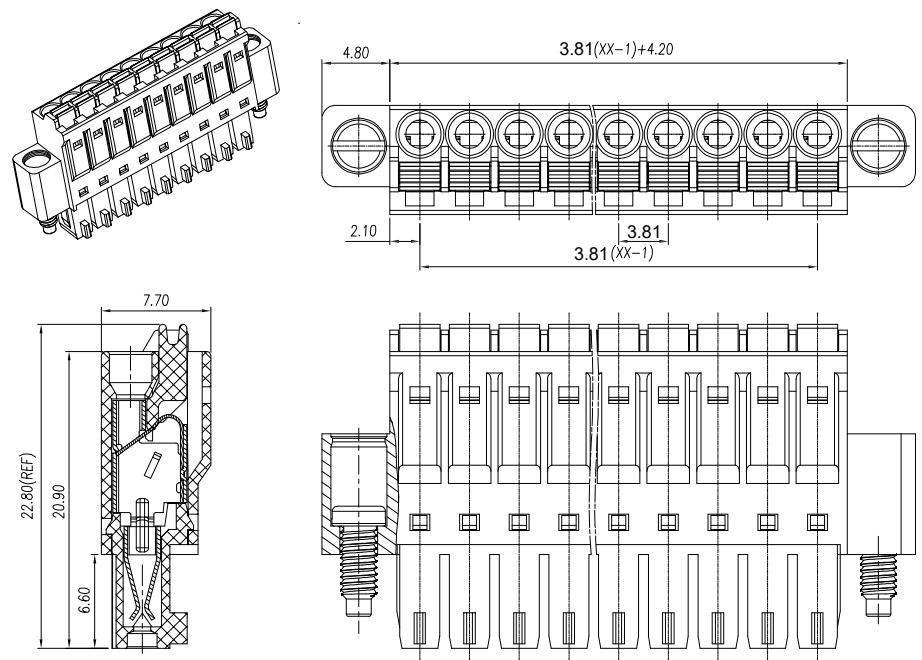


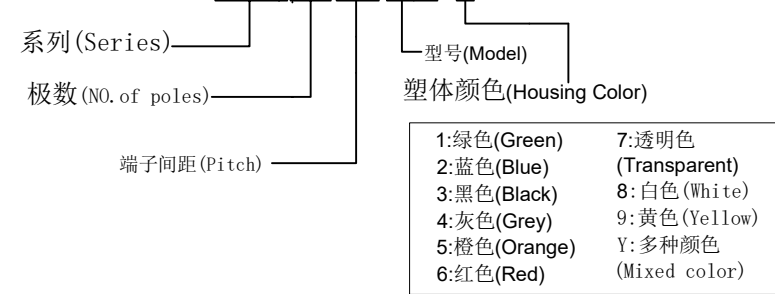
| 版次<br>(Version) | 变更内容<br>(Rev. Content) | 变更者<br>(Change Person) |
|-----------------|------------------------|------------------------|
|                 |                        |                        |
|                 |                        |                        |



| 技术参数 (Technical Data)       |  |                                  |         |         |
|-----------------------------|--|----------------------------------|---------|---------|
| UL                          | 应用组别(Use group)  | B                                | C       | D       |
|                             | 额定电器参数<br>(Rated Electrical Parameters)<br>过压类别(Overvoltage Category)<br>/污染等级(Pollution Degree) | 300V/8A                          | 300V/8A | 300V/8A |
| IEC                         | 额定电器参数<br>(Rated Electrical Parameters)  | 300V/8A                          | 300V/8A | 300V/8A |
|                             | 压线范围(Wire Range)   | /                                |         |         |
| 工频耐压(Frequency Voltage)     |  | AC 1300V                         |         |         |
| 冲击耐压(Rated Surge Voltage)   |  | 4000V                            |         |         |
| 绝缘阻抗(Insulation Resistance) |  | DC500V 500MΩ above               |         |         |
| 接触电阻(Contact Resistance)    |  | ≤20mΩ                            |         |         |
| 剥线长度(String Length)         |  | /                                |         |         |
| 工作温度(Temperature)           |  | -40° C--+105° C                  |         |         |
| 额定扭矩(Rated torque)          |  | /                                |         |         |
| 材质和电镀(Material and plating) |  |                                  |         |         |
| 绝缘材质(Housing)               |  | PA66                             |         |         |
| 导体材料(Contact)               |  | 铜合金, 镀锡(Copper alloy, Sn plsted) |         |         |
| /                           |  | /                                |         |         |

产品命名编码:  
(Product Number Code):

FPS1.5-XX-381-02M-YY



P=3.81mm,N为孔位数(N for hole digits),有效位数为(Significant Digits):02p-19p

| N | 02P   | 03P   | 04P   | 05P   | 06P   | 07P   | 08P   | 09P   | 10P   |
|---|-------|-------|-------|-------|-------|-------|-------|-------|-------|
| L | 17.61 | 21.42 | 25.23 | 29.04 | 32.85 | 36.66 | 40.47 | 44.28 | 48.09 |
| B | 3.81  | 7.62  | 11.43 | 15.24 | 19.05 | 22.86 | 26.67 | 30.48 | 34.29 |
| N | 11P   | 12P   | 13P   | 14P   | 15P   | 16P   | 17P   | 18P   | 19P   |
| L | 51.90 | 55.71 | 59.52 | 63.33 | 67.14 | 70.95 | 74.76 | 78.57 | 82.38 |
| B | 38.10 | 41.91 | 45.72 | 49.53 | 53.34 | 57.15 | 60.96 | 64.77 | 68.58 |

|  |                       |                  |
|--|-----------------------|------------------|
| 东莞市澳斯电子有限公司<br>DONGGUAN AOSI ELECTRONICS CO., LTD, | 公差范围(Tolerance Range) |                  |
|  | 150~                  | ±1.50            |
| 型号(Type): FPS1.5-XX-381-02M-YY                     | 60~150                | ±1.00            |
|  | 30~60                 | ±0.60            |
| 核准(Approval):                                      | 6~30                  | ±0.40            |
|  | 图号(Drawing NO.):      | 0~6 ±0.25        |
| 核审(Audit):   | 单位(Units):mm          | 页码(Page):1/1     |
|  | 角度(Angle):            | X ±2°<br>X.X ±1° |
| 设计(Design)   | 比例(Scale):FULL        | 版次(Version):T0   |