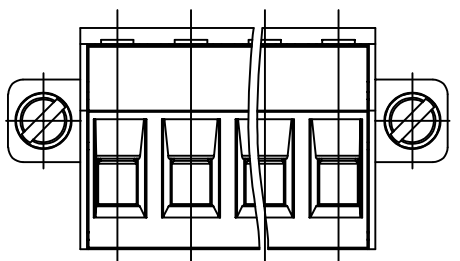
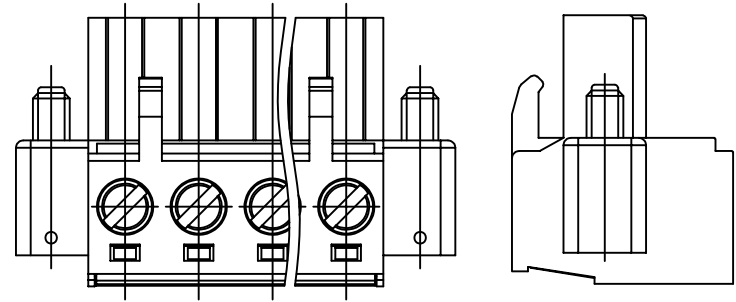
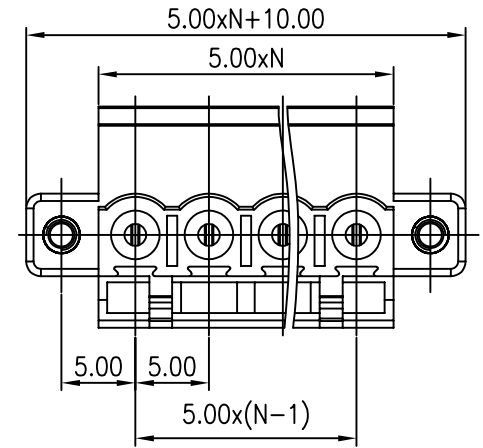


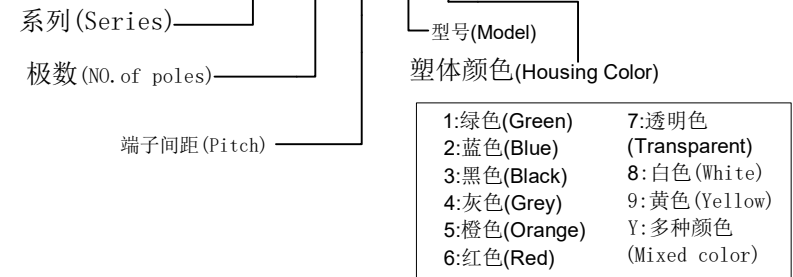
版次 (Version)	变更内容 (Rev. Content)	变更者 (Change Person)



技术参数 (Technical Data)				
应用组别(Use group)	B	C	D	
UL (Rated Electrical Parameters)	300V/15A	300V/15A	300V/15A	
IEC (Rated Electrical Parameters)	300V/15A	300V/15A	300V/15A	
过压类别(Overvoltage Category) /污染等级(Pollution Degree)	III/3	III/2	III/2	
压线范围(Wire Range)	/			
工频耐压(Frequency Voltage)	AC 1600V			
冲击耐压(Rated Surge Voltage)	4000V			
绝缘阻抗(Insulation Resistance)	DC500V 500MΩ above			
接触电阻(Contact Resistance)	≤20mΩ			
剥线长度(String Length)	/			
工作温度(Temperature)	-40° C---+105° C			
额定扭矩(Rated torque)	/			
材质和电镀(Material and plating)				
绝缘材质(Housing)	PA66			
导体材料(Contact)	铜合金, 镀锡(Copper alloy, Sn plsted)			
/	/			

产品命名编码:
(Product Number Gode):

FPC2.5-XX-500-08M-YY



P=5.00mm,N为孔位数(N for hole digits),有效位数为(Significant Digits):02p-19p

N	02P	03P	04P	05P	06P	07P	08P	09P	10P
L	20.00	25.00	30.00	35.00	40.00	45.00	50.00	55.00	60.00
B	5.00	10.00	15.00	20.00	25.00	30.00	35.00	40.00	45.00
N	11P	12P	13P	14P	15P	16P	17P	18P	19P
L	65.00	70.00	75.00	80.00	85.00	90.00	95.00	100.00	105.00
B	50.00	55.00	60.00	65.00	70.00	75.00	80.00	85.00	90.00

东莞市澳斯电子有限公司 DONGGUAN AOSI ELECTRONICS CO., LTD	公差范围(Tolerance Range)	
	150~	±1.50
型号(Type):FPC2.5-XX-500-08M-YY	60~150	±1.00
	30~60	±0.60
核准(Approval):	6~30	±0.40
	图号(Drawing NO.):	0~6 ±0.25
核审(Audit):	单位(Units):mm	角度(Angle) X ±2°
	页码(Page):1/1	X.X ±1°
设计(Design)	比例(Scale):FULL	版次(Version):T0