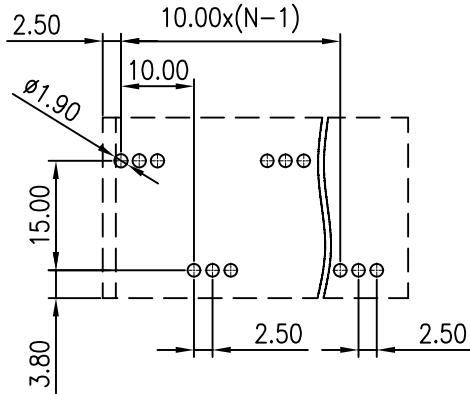
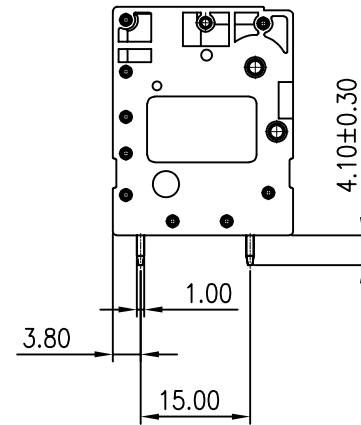
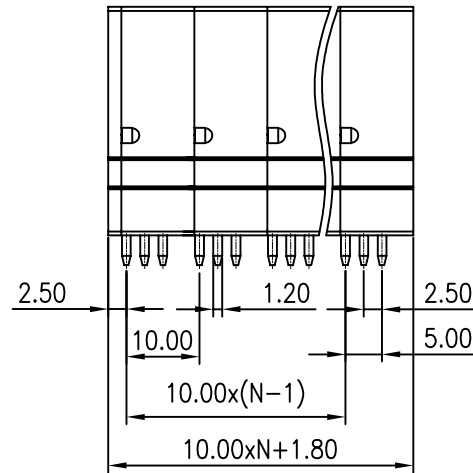
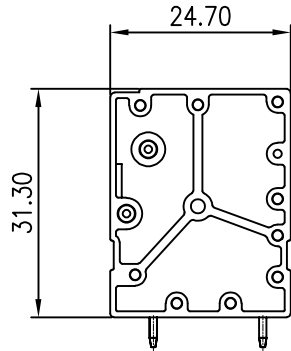
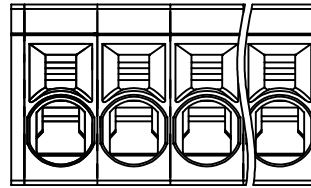


版次 (Version)	变更内容 (Rev. Content)	变更者 (Change Person)



技术参数 (Technical Data)				
UL	应用组别(Use group)	B	C	D
	额定电器参数 (Rated Electrical Parameters)	600V/66A	600V/66A	600V/66A
IEC	过压类别 (Overvoltage Category) /污染等级 (Pollution Degree)	III/3	III/2	III/2
	额定电器参数 (Rated Electrical Parameters)	600V/66A	600V/66A	600V/66A
压线范围(Wire Range)		/		
工频耐压(Frequency Voltage)		AC 2500V		
冲击耐压(Rated Surge Voltage)		4000V		
绝缘阻抗 (Insulation Resistance)		DC500V 500MΩ above		
接触电阻(Contact Resistance)		≤20mΩ		
剥线长度(String Length)		/		
工作温度(Temperature)		-40° C--+105° C		
额定扭矩(Rated torque)		/		
材质和电镀 (Material and plating)				
绝缘材质(Housing)		PA66		
导体材料(Contact)		铜合金, 镀锡(Copper alloy, Sn plated)		
/		/		

产品命名编码:
(Product Number Code):

FS16-XX-1000-02-YY

系列 (Series)

型号 (Model)

极数 (NO. of poles)

塑体颜色 (Housing Color)

端子间距 (Pitch)

- | | |
|--------------|-------------------------|
| 1:绿色(Green) | 7:透明色
(Transparent) |
| 2:蓝色(Blue) | 8:白色(White) |
| 3:黑色(Black) | 9:黄色(Yellow) |
| 4:灰色(Grey) | Y:多种颜色
(Mixed color) |
| 5:橙色(Orange) | |
| 6:红色(Red) | |

P=10.00mm,N为孔位数(N for hole digits),有效位数为 (Significant Digits):02p-19p

N	02P	03P	04P	05P	06P	07P	08P	09P	10P
L	21.80	31.80	41.80	51.80	61.80	71.80	81.80	91.80	101.80
B	10.00	20.00	30.00	40.00	50.00	60.00	70.00	80.00	90.00
N	11P	12P	13P	14P	15P	16P	17P	18P	19P
L	111.80	121.80	131.80	141.80	151.80	161.80	171.80	181.80	191.80
B	100.00	110.00	120.00	130.00	140.00	150.00	160.00	170.00	180.00

东莞市澳斯电子有限公司 DONGGUAN AOSI ELECTRONICS CO., LTD.		公差范围(Tolerance Range)	
型号(Type):FS16-XX-1000-02-YY		150~	±1.50
		60~150	±1.00
核准(Approval): 图号(Drawing NO.):		30~60	±0.60
		6~30	±0.40
核审(Audit): 单位(Units):mm 页码(Page):1/1		0~6	±0.25
		角度 (Angle): X	±2°
设计(Design) 比例(Scale):FULL		XX	±1°
		版次(Version):T0	