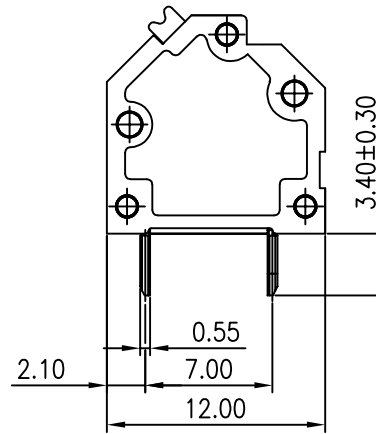
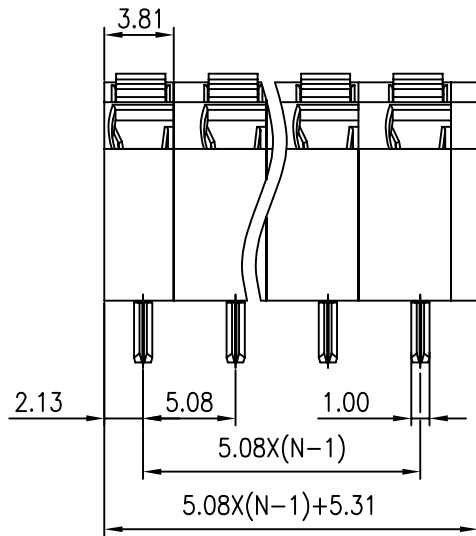
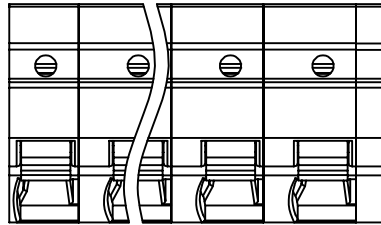


版次 (Version)	变更内容 (Rev. Content)	变更者 (Change Person)



技术参数 (Technical Data)				
UL	应用组别(Use group)	B	C	D
	额定电器参数 (Rated Electrical Parameters)	320V/30A	320V/30A	630V/30A
IEC	过压类别 (Overvoltage Category)	III/3	III/2	III/2
	/污染等级 (Pollution Degree)			
IEC	额定电器参数 (Rated Electrical Parameters)	320V/30A	320V/30A	630V/30A
	压线范围(Wire Range)	/		
工频耐压(Frequency Voltage)		AC 1600V		
冲击耐压(Rated Surge Voltage)		4000V		
绝缘阻抗 (Insulation Resistance)		DC500V 500MΩ above		
接触电阻(Contact Resistance)		≤20mΩ		
剥线长度(String Length)		/		
工作温度(Temperature)		-40° C--+105° C		
额定扭矩(Rated torque)		/		
材质和电镀(Material and plating)				
绝缘材质(Housing)		PA66		
导体材料(Contact)		铜合金, 镀锡(Copper alloy, Sn plated)		
/		/		

产品命名编码:
(Product Number Code):

FS1.5-XX-508-04-YY

系列 (Series)

极数 (NO. of poles)

端子间距 (Pitch)

型号 (Model)

塑体颜色 (Housing Color)

- | | |
|--------------|-------------------------|
| 1:绿色(Green) | 7:透明色
(Transparent) |
| 2:蓝色(Blue) | 8:白色(White) |
| 3:黑色(Black) | 9:黄色(Yellow) |
| 4:灰色(Grey) | Y:多种颜色
(Mixed color) |
| 5:橙色(Orange) | |
| 6:红色(Red) | |

P=5.08mm,N为孔位数(N for hole digits),有效位数为(Significant Digits):02p-19p

N	02P	03P	04P	05P	06P	07P	08P	09P	10P
L	10.39	15.47	20.55	25.63	30.71	35.79	40.87	45.95	51.03
B	5.08	10.16	15.24	20.32	25.4	30.48	35.56	40.64	45.72
N	11P	12P	13P	14P	15P	16P	17P	18P	19P
L	56.11	61.19	66.27	71.35	76.43	81.51	86.59	91.67	96.75
B	50.8	55.88	60.96	66.04	71.12	76.2	81.28	86.36	91.44

东莞市澳斯电子有限公司 DONGGUAN AOSI ELECTRONICS CO., LTD.		公差范围(Tolerance Range)	
型号(Type): FS1.5-XX-508-04-YY		150~	±1.50
		60~150	±1.00
核准(Approval):		30~60	±0.60
		6~30	±0.40
核审(Audit):		0~6	±0.25
		角度 (Angle)	X ±2° X.X ±1°
设计(Design)		比例(Scale): FULL	版次 (Version): T0