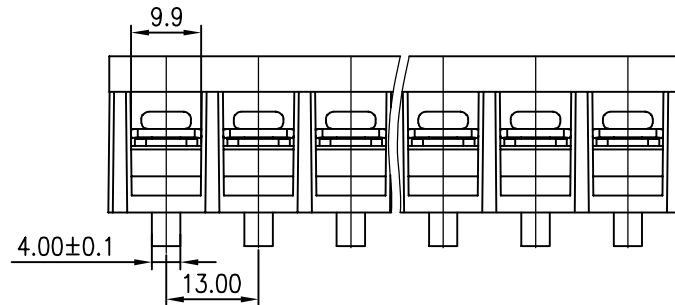
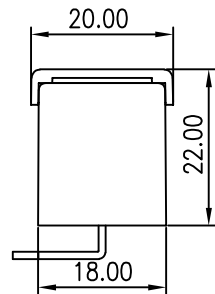
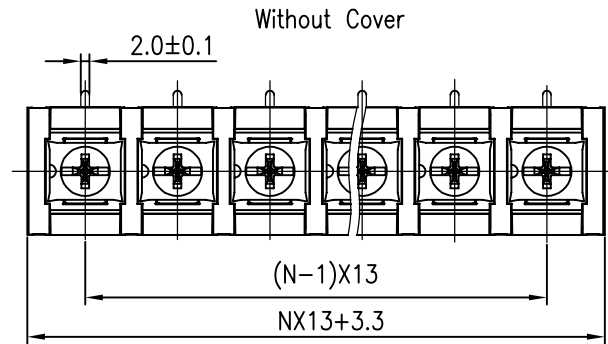


版次 (Version)	变更内容 (Rev. Content)	变更者 (Change Person)



技术参数 (Technical Data)				
UL	应用组别(Use group)	B	C	D
	额定电器参数 (Rated Electrical Parameters)	600V/40A	600V/40A	600V/40A
IEC	过压类别(Overvoltage Category) /污染等级(Pollution Degree)	III/3	III/2	III/2
	额定电器参数 (Rated Electrical Parameters)	630V/41A	630V/41A	630V/41A
压线范围(Wire Range)		/		
工频耐压(Frequency Voltage)		AC 2500V		
冲击耐压(Rated Surge Voltage)		4000V		
绝缘阻抗(Insulation Resistance)		DC500V 500MΩ above		
接触电阻(Contact Resistance)		≤20mΩ		
剥线长度(String Length)		/		
工作温度(Temperature)		-40° C--+105° C		
额定扭矩(Rated torque)		/		
材质和电镀(Material and plating)				
绝缘材质(Housing)		PA66		
导体材料(Contact)		铜合金, 镀锡(Copper alloy, Sn plsted)		
/		/		

产品命名编码:
(Product Number Code):

BT6-XX-1300-78R -YY

系列(Series)

极数(NO. of poles)

端子间距(Pitch)


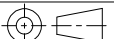
型号(Model)

塑体颜色(Housing Color)

1:绿色(Green)	7:透明色 (Transparent)
2:蓝色(Blue)	8:白色(White)
3:黑色(Black)	9:黄色(Yellow)
4:灰色(Grey)	Y:多种颜色 (Mixed color)
5:橙色(Orange)	
6:红色(Red)	

P=13.00mm,N为孔位数(N for hole digits),有效位数为(Significant Digits):02p-19p

N	02P	03P	04P	05P	06P	07P	08P	09P	10P
L	29.30	42.30	55.30	68.30	81.30	94.30	107.30	120.30	133.30
B	13.00	26.00	39.00	52.00	65.00	78.00	91.00	104.00	117.00
N	11P	12P	13P	14P	15P	16P	17P	18P	19P
L	146.30	159.30	172.30	185.30	198.30	211.30	224.30	237.30	250.30
B	130.00	143.00	156.00	169.00	182.00	195.00	208.00	221.00	234.00

 东莞市澳斯电子有限公司 DONGGUAN AOSI ELECTRONICS CO., LTD,	公差范围(Tolerance Range)	
	150~	±1.50
型号(Type): BT6-XX-1300-78R -YY	60~150	±1.00
	30~60	±0.60
核准(Approval):	图号(Drawing NO.):	6~30 ±0.40
		0~6 ±0.25
核审(Audit):	单位(Units):mm	角度(Angle) X ±2°
	页码(Page):1/1	X.X ±1°
设计(Design)	比例(Scale):FULL	 版次(Version):T0