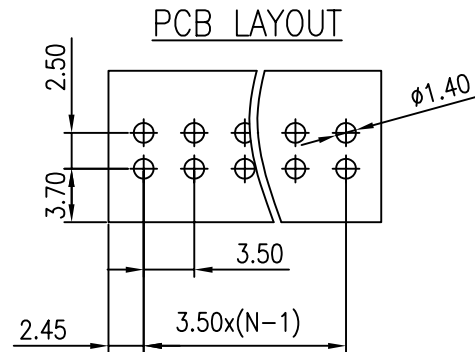
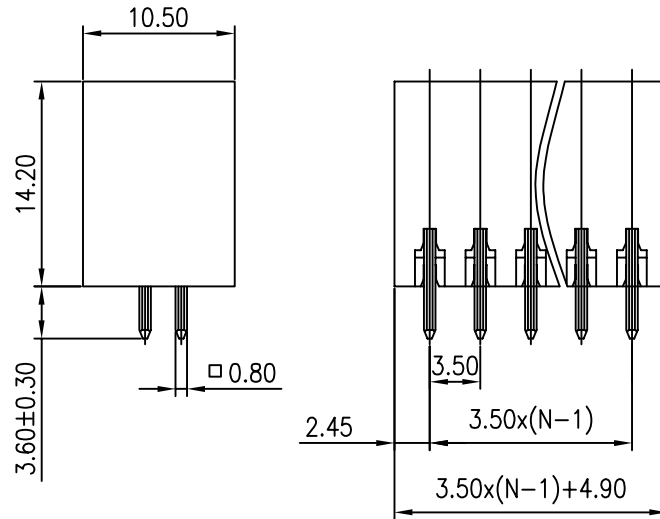


版次 (Version)	变更内容 (Rev. Content)	变更者 (Change Person)



技术参数 (Technical Data)				
UL	应用组别(Use group)	B	C	D
	额定电器参数 (Rated Electrical Parameters)	300V/8A	300V/8A	300V/8A
IEC	过压类别 (Overvoltage Category) /污染等级 (Pollution Degree)	III/3	III/2	III/2
	额定电器参数 (Rated Electrical Parameters)	300V/8A	300V/8A	300V/8A
压线范围(Wire Range)		/		
工频耐压(Frequency Voltage)		AC 1300V		
冲击耐压(Rated Surge Voltage)		4000V		
绝缘阻抗(Insulation Resistance)		DC500V 500MΩ above		
接触电阻(Contact Resistance)		≤20mΩ		
剥线长度(String Length)		/		
工作温度(Temperature)		-40° C--+105° C		
额定扭矩(Rated torque)		/		
材质和电镀(Material and plating)				
绝缘材质(Housing)		PA66		
导体材料(Contact)		铜合金, 镀锡(Copper alloy, Sn plsted)		
/		/		

产品命名编码:
(Product Number Code):

FPM1.5-XX-350-14-YY

系列 (Series) — 型号 (Model)
极数 (NO. of poles) — 塑体颜色 (Housing Color)

端子间距 (Pitch)

- | | |
|--------------|-------------------------|
| 1:绿色(Green) | 7:透明色
(Transparent) |
| 2:蓝色(Blue) | 8:白色(White) |
| 3:黑色(Black) | 9:黄色(Yellow) |
| 4:灰色(Grey) | Y:多种颜色
(Mixed color) |
| 5:橙色(Orange) | |
| 6:红色(Red) | |

P=3.50mm,N为孔位数(N for hole digits),有效位数为 (Significant Digits):02p-19p

N	02P	03P	04P	05P	06P	07P	08P	09P	10P
L	8.40	11.90	15.40	18.90	22.40	25.90	29.40	32.90	36.40
B	3.50	7.00	10.50	14.00	17.50	21.00	24.50	28.00	31.50
N	11P	12P	13P	14P	15P	16P	17P	18P	19P
L	39.90	43.40	46.90	50.40	53.90	57.40	60.90	64.40	67.90
B	35.00	38.50	42.00	45.50	49.00	52.50	56.00	59.50	63.00

东莞市澳斯电子有限公司 DONGGUAN AOSI ELECTRONICS CO., LTD		公差范围(Tolerance Range)	
型号(Type): FPM1.5-XX-350-14-YY		150~	±1.50
核准(Approval): 图号(Drawing NO.):		60~150	±1.00
核审(Audit): 单位(Units):mm 页码(Page):1/1		30~60	±0.60
设计(Design): 比例(Scale):FULL		6~30	±0.40
		0~6	±0.25
		角度 X (Angle) X.X	±2° ±1°
		版次 (Version):T0	