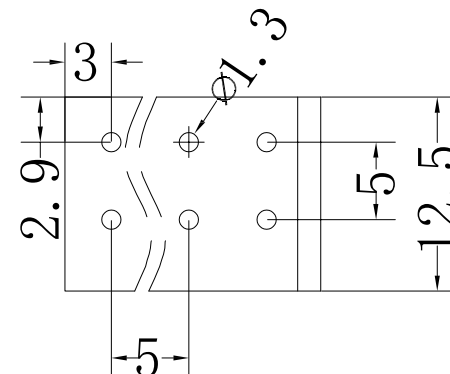
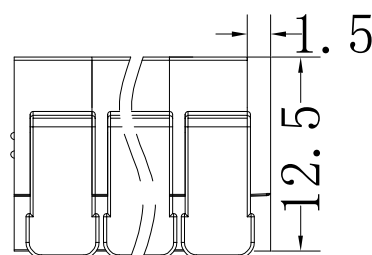
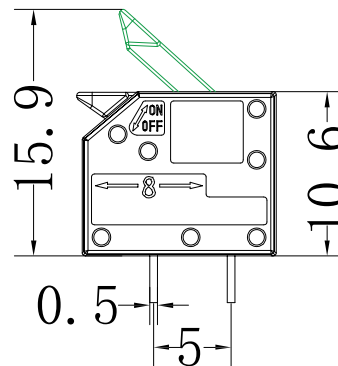
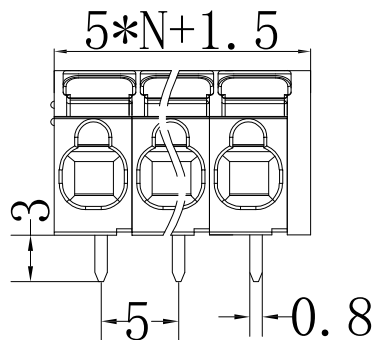


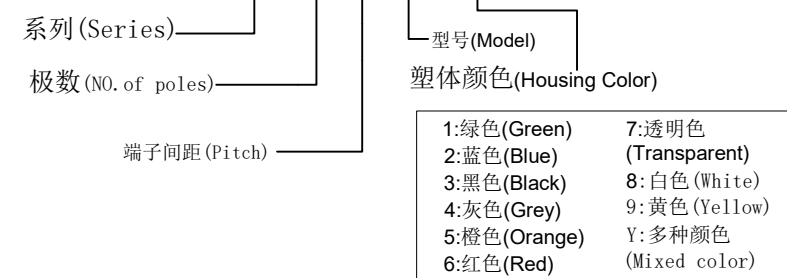
版次 (Version)	变更内容 (Rev. Content)	变更者 (Change Person)



技术参数 (Technical Data)				
UL	应用组别(Use group) (Rated Electrical Parameters)	B	C	D
		300V/16A	300V/16A	300V/16A
IEC	过压类别 (Overvoltage Category) / 污染等级 (Pollution Degree)	III/3	III/2	III/2
	额定电器参数 (Rated Electrical Parameters)	300V/16A	300V/16A	300V/16A
压线范围(Wire Range)		/		
工频耐压(Frequency Voltage)		AC 1600V		
冲击耐压(Rated Surge Voltage)		4000V		
绝缘阻抗(Insulation Resistance)		DC500V 500MΩ above		
接触电阻(Contact Resistance)		≤20mΩ		
剥线长度(String Length)		/		
工作温度(Temperature)		-40° C--+105° C		
额定扭矩(Rated torque)		/		
材质和电镀(Material and plating)				
绝缘材质(Housing)		PA66		
导体材料(Contact)		铜合金, 镀锡(Copper alloy, Sn plated)		
/		/		

产品命名编码:
(Product Number Code):

FS2.5-XX-500-803R-YY



P=5.00mm,N为孔位数(N for hole digits),有效位数为 (Significant Digits):02p-19p

	02P	03P	04P	05P	06P	07P	08P	09P	10P
N	11.50	16.50	21.50	26.50	31.50	36.50	41.50	46.50	51.50
L	5.00	10.00	15.00	20.00	25.00	30.00	35.00	40.00	45.00
N	11P	12P	13P	14P	15P	16P	17P	18P	19P
L	56.50	61.50	66.50	71.50	76.50	81.50	86.50	91.50	96.50
B	50.00	55.00	60.00	65.00	70.00	75.00	80.00	85.00	90.00

东莞市奥斯电子有限公司 DONGGUAN AOSI ELECTRONICS CO., LTD.	公差范围(Tolerance Range)	
	150~	±1.50
型号 (Type): FS2.5-XX-500-803R-YY	60~150	±1.00
	30~60	±0.60
核准 (Approval):	6~30	±0.40
	0~6	±0.25
核审 (Audit):	角度 (Angle)	X ±2°
	单位 (Units): mm	XX ±1°
设计 (Design)	页码 (Page): 1/1	版次 (Version): T0
	比例 (Scale): FULL	